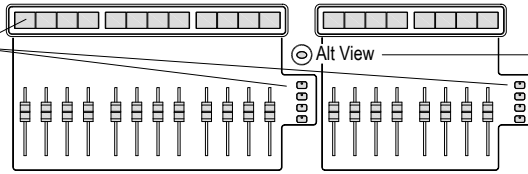


For the new user or guest engineer to start mixing with GLD. It assumes a mixer already configured for the show. To learn more about configuration, memories and advanced functions read the on-screen Help Manual and User Guide AP8561.

- 1** See where Input and Master **Faders** are by pressing Layer keys A,B,C,D and reading the displays

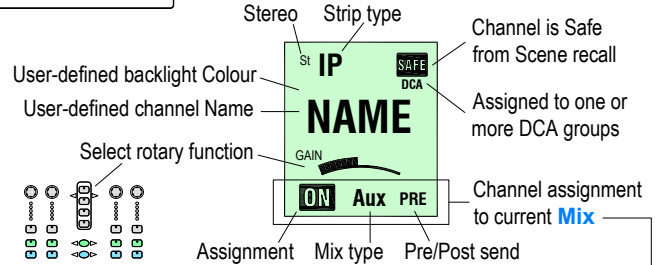
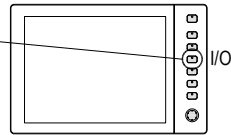
To change the strip assignments use the **Setup/Control** screen



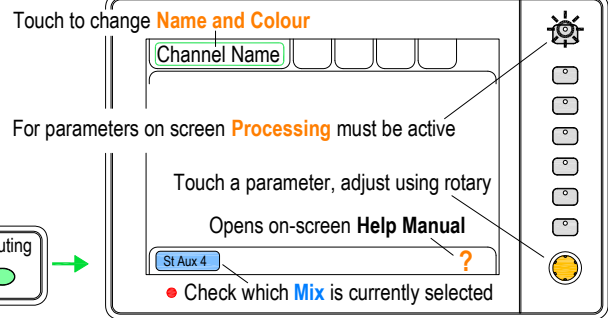
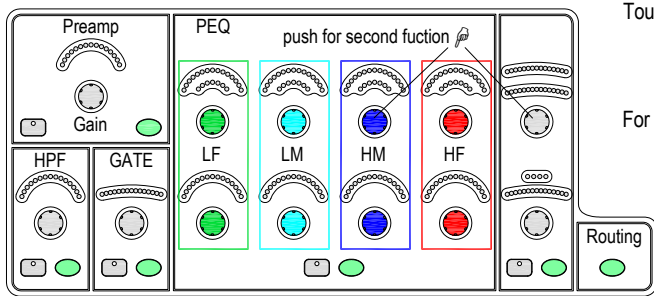
Press **Alt View** to view channel or socket numbers or fader dB value in place of Name. Set option in **Setup/Control** screen

- 2** See how the **Sockets** are patched using the **I/O** screen.

To change the socket assignments touch and select from drop-down menu



- 3** **Sel** Access the **Channel and Mix processing**

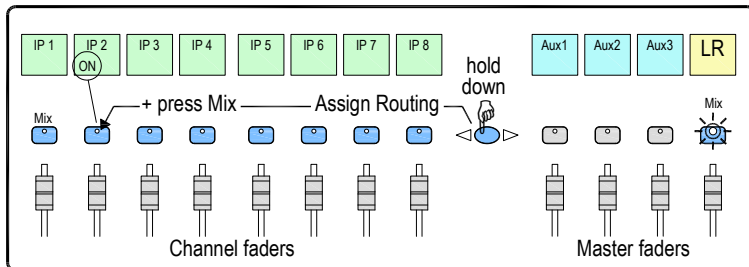


For GEQ on faders press **GEQ Fader Flip** - Master on last fader. RTA on strip meters. RTA follows current selected PAFL

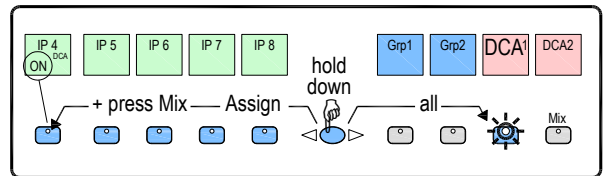
- 4** **Mix** Access the **Sends and Assignments**

**Normal mix mode (FOH)**

Main **Mix** active



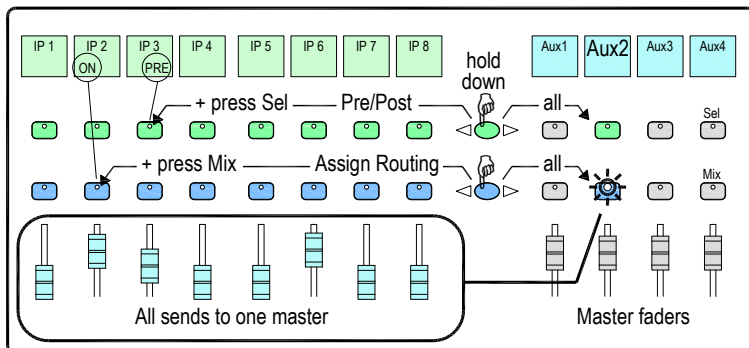
**DCA and Audio Group assign**



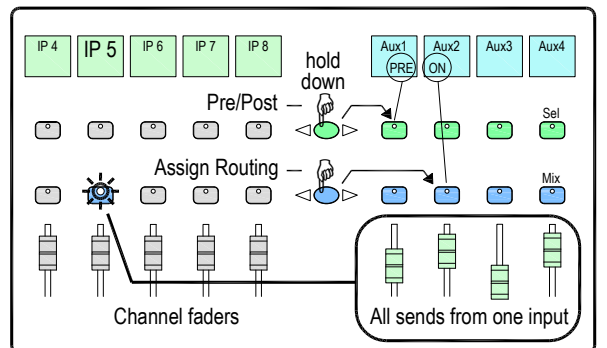
• Press **Mix** again to return to Main mix

**Master Mix view**

Access Aux, FX, Matrix mix on faders



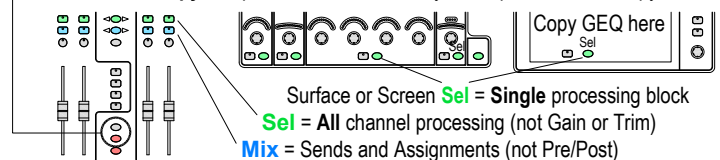
**Channel Mix view**



- 5** Access the **FX**
- > To send to an FX - press FX master **Mix**
  - > To adjust FX parameters - press FX strip **Sel**
  - > To return to the mix use related **FXret** channel

- 6** To **Link parameters** eg. 2 channels for stereo keyboard Use the **Ganging** screen. Choose attributes.
- Ganging does not link the Gains or Trims.

- 7** To **Copy parameters**
- > Hold down **Copy** and press the **Sel** or **Mix** key of the parameters to copy:



> Now hold down **Paste** and press the **Sel** or **Mix** key of the **strip** to paste to