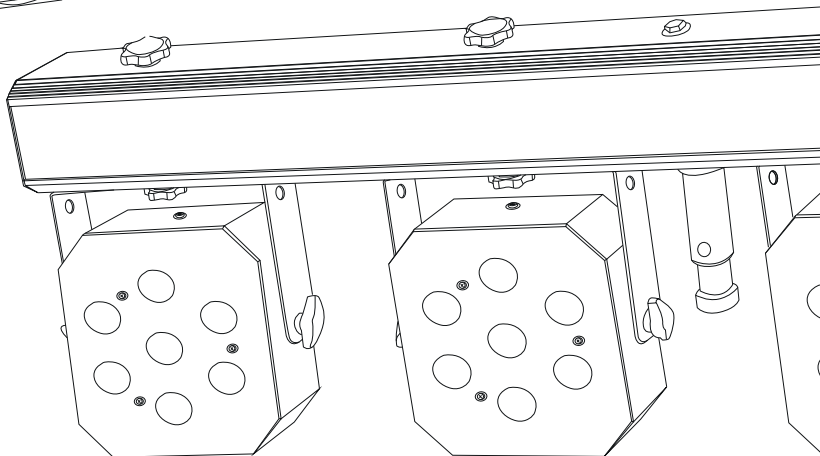
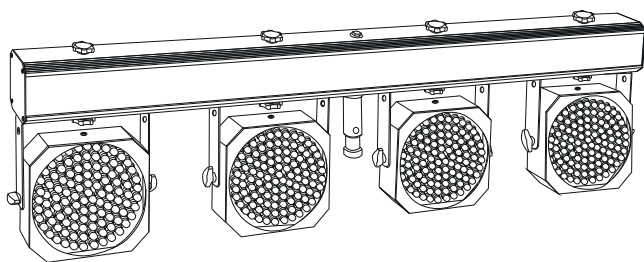


USER'S MANUAL
BEDIENUNGSANLEITUNG
MANUEL D'UTILISATION
MANUAL DE USUARIO
INSTRUKCJA OBSŁUGI
MANUALE D'USO



(Only CLMPAR2)



LED MULTI PAR

LED LIGHTING SET CLMPAR1 / CLMPAR2



ENGLISH

DEUTSCH

FRANCAIS

ESPAÑOL

POLSKI

ITALIANO

Thank you for choosing Cameo Light!

We have designed this product to give you reliable operation over many years.

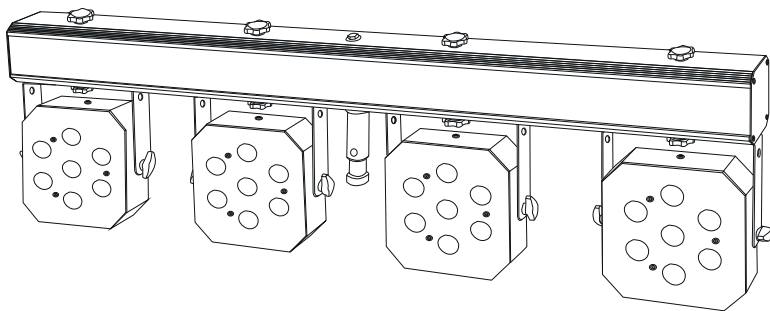
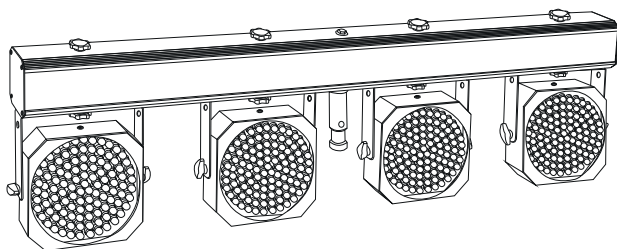
Please take a few moments to read these instructions carefully, as we want you to enjoy your new Cameo Light products quickly and to the fullest.

For further information about Cameo Light check our website WWW.CAMEOLIGHT.COM



LED MULTI PAR

LED LIGHTING SET CLMPAR1 / CLMPAR2



ENGLISH

DEUTSCH

FRANCAIS

ESPAÑOL

POLSKI

ITALIANO



PREVENTIVE MEASURES:

- Never let the AC cable come into contact with other cables. Handle the AC cable and all mains voltage connections with particular caution!
 - Never remove warning or informative labels from the equipment.
 - Do not open the equipment and do not modify the equipment.
 - Do not connect this equipment to a dimmer-pack.
 - Do not switch the equipment on and off in short intervals, as this will reduce the system's life.
 - Only use the equipment indoors.
 - Do not expose to flammable sources, liquids or gases.
 - Always disconnect the power from the mains when equipment is not in use or before cleaning! Only handle the AC cable by the plug. Never pull out the AC plug by pulling the AC cable.
 - Make sure that the available voltage is between 100 V AC - 250 V AC.
 - Make sure that the AC cable is never crimped or damaged. Check the equipment and the AC cable periodically.
 - If the equipment is dropped or damaged, disconnect the mains power supply immediately.
- Have a qualified engineer inspect the equipment before operating again.
- If the equipment has been exposed to drastic temperature fluctuation (e.g. after transportation), do not switch it on immediately. The arising condensation might damage the equipment. Leave the equipment switched off until it has reached room temperature.
 - If your product fails to function correctly, discontinue use immediately. Pack the unit securely (preferably in the original packing material), and return it to your Cameo dealer for service.
 - Only use fuses of same type and rating.
 - Repairs, servicing and power connection must only be carried out by a qualified technician. **THIS UNIT CONTAINS NO USER SERVICEABLE PARTS.**
 - Never use any accessories or modifications not authorized by the manufacturer of this unit.
 - Choose a location for operation where the unit is protected from vibration and where a fixed mounting position is provided. In case of overhead-mounting, follow appropriate rigging rules and your country's regulations for rigging safety.
 - Before plugging the AC cable in the wall outlet, check whether the AC mains voltage and frequency is the same as this product is specified for. Whenever your AC plug should not match the wall outlet, contact your dealer immediately.
 - If fluids have spilled into the unit or small parts have intruded the unit, immediately switch off the unit and hand it over to the authorized service for a security check.
 - Disconnect the unit from AC supply by pulling the AC plug out of the wall outlet or the unit's AC socket during a thunder-storm in order to avoid any damage on the unit due to AC voltage peaks.
 - In case of not correct function of this unit or damaged AC cable or other damaged parts, pull immediately the AC plug out of the wall outlet and hand the unit over to the authorized service for a security check.
 - To meet all aspects of functionality and security during maintenance work to be preformed on this unit, all parts should be replaced by genuine spare parts. Consequently, take care of your dealer or maintenance company to be authorized by the manufacturer.

ENGLISH

DEUTSCH

FRANCAIS

ESPAÑOL

POLSKI

ITALIANO



SAFETY:

ENGLISH

DEUTSCH

FRANCAIS

ESPAÑOL

POLSKI

ITALIANO

OPERATING DETERMINATIONS

If this equipment is operated in any other way, than those described in this manual, the product may suffer damage and the warranty becomes void.

Incorrect operation may lead to danger e.g.: short-circuit, burns, electric shocks, lamp failure etc.

Do not endanger your own safety and the safety of others!

Incorrect installation or use can cause serious damage to people and property.

WARNING!

- 1. Do not look into the beam from a distance of less than 40 cm (16 inches).**
- 2. Do not stare into the beam for extended periods at a short distance.**
- 3. Do not view the beam directly with optical instruments such as magnifiers.**



CAUTION:

To reduce the risk of electric shock, do not remove cover (or back). No user serviceable parts inside. Refer servicing to qualified personnel.



The lightning flash with arrowhead symbol within an equilateral triangle is intended to alert the user to the presence of uninsulated “dangerous voltage” within the product’s enclosure that may be of sufficient magnitude to constitute a risk to persons.



The exclamation mark within an equilateral triangle is intended to alert the user to the presence of important operating and maintenance (servicing) instructions in the literature accompanying the appliance.



INTRODUCTION:

CONTROLLER FEATURES

LED MULTI PAR

(CLMPAR1)

- 432 (4 x 108) Ultra bright 10mm RGB LEDs
- Beam angle 25 degrees
- Including transportation bag
- Foot controller input (foot controller CLMPARFOOT optional)
- DMX-512 protocol
- DMX mode 6 / 9 / 15 Channel selectable
- Master/slave mode
- Standalone modes
- 4 Button control panel
- 14 built-in programs
- Rugged metal housing
- Illuminated LCD display
- Tripod-mounting using 28-mm TV adapter

CONTROLLER FEATURES

LED MULTI PAR

(CLMPAR2)

- 28 (4 x 7) Ultra bright 3W TRI colour LEDs
- Beam angle 25 degrees
- Including transportation bag
- Foot controller input (foot controller CLMPARFOOT optional)
- DMX-512 protocol
- DMX mode 6 / 9 / 15 Channel selectable
- Master/slave mode
- Standalone modes
- 4 Button control panel
- 14 built-in programs
- rugged metal housing
- Illuminated LCD display
- Tripod-mounting using 28-mm TV adapter

Welcome to the powerful series of innovative CAMEO LIGHT **LED MULTI PAR** system with its smart design for fastest installation within 2 minutes.

ENGLISH

DEUTSCH

FRANCAIS

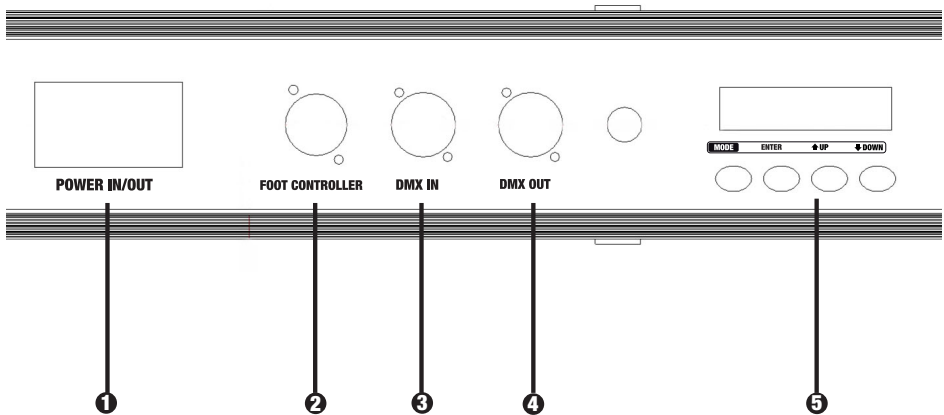
ESPAÑOL

POLSKI

ITALIANO



BACK PANEL:



- 1** AC POWER IN/OUT
- 2** FOOT CONTROLLER INPUT
- 3** DMX IN
- 4** DMX OUT
- 5** MENU BUTTONS/DISPLAY

ENGLISH

DEUTSCH

FRANCAIS

ESPAÑOL

POLSKI

ITALIANO



OPERATING INSTRUCTIONS:

BUILT-IN PROGRAMS

You can choose between 14 built-in programs (01-14). In program STATIC, FLOW 8 and FLOW 9 (01, 13, 14) you can select blackout (COL:BLA) as well as all 7 colours (Red, Yellow, Green, Cyan, Blue, Purple, White).

The flash interval is adjustable from 0-99 (Flash00-99).

In Program 2-14 (02-14) you can adjust the speed (Speed00-99) of each mode as well as the flash interval of all 7 colours.

To select different modes (Program Mode 01 - 14, AUTO RUN, DMX MODE, SLAVE MODE, SOUND MODE) press MODE button (repeatedly if necessary).

To select a program choose Program Mode and press ENTER once (program number blinks).

Select the desired program by using the UP and DOWN buttons. Press ENTER to change Colour and Flash interval repeatedly if necessary (last digit blinks in each case) using Program 01.

Change value by using UP and DOWN buttons.

Press ENTER to change Speed and Flash interval repeatedly if necessary (last digit blinks in each case) using Program 02 - 12. Change value by using UP and DOWN buttons.

Press ENTER to change Speed, Flash interval, Colour 1 (C1) and Colour 2 (C2) repeatedly if necessary (last digit blinks in each case) using Program 13 and 14. Change value by using UP and DOWN buttons.

PROGRAM	MODE	FUNCTION
P01	STATIC COLOUR	Blackout 7 colours Flash interval adjustable
P02	DREAM	7 colour dreaming mode Speed & Flash interval adjustable
P03	METEOR	7 colour flowing mode Speed & Flash interval adjustable
P04	FADE	7 colour fading mode Speed & Flash interval adjustable
P05	CHANGE	7 colour changing mode Speed & Flash interval adjustable
P06	FLOW 1	7 colour chasing in 1 way Speed & Flash interval adjustable
P07	FLOW 2	7 colour chasing in 2 ways Speed & Flash interval adjustable
P08	FLOW 3	7 colour chasing in 1 relay way Speed & Flash interval adjustable
P09	FLOW 4	7 colour chasing in 2 relay ways Speed & Flash interval adjustable



OPERATING INSTRUCTIONS:

ENGLISH

DEUTSCH

FRANCAIS

ESPAÑOL

POLSKI

ITALIANO

P10	FLOW 5	7 colour chasing from 2 sides to middle Speed & Flash interval adjustable
P11	FLOW 6	7 colour from middle to 2 sides Speed & Flash interval adjustable
P12	FLOW 7	7 colour chasing mode Speed & Flash interval adjustable
P13	FLOW 8	2 colour chasing in 1 way Speed & Flash interval adjustable Blackout & 7 colours
P14	FLOW 9	2 colour chasing in 2 way Speed & Flash interval adjustable Blackout & 7 colours

AUTO MODE

Program 02 - 14 will follow in sequence. The frequency is adjustable from 01 - 99 (FQN:01 - 99).

SLAVE MODE

The unit in Slave Mode will follow the unit in Master Mode (any other mode except DMX Mode and Slave Mode). Connect Master an Slave units by using DMX cables.

SOUND MODE

The unit in Sound Mode will follow beat of the music thanks to the built in microphone. Adjust the sensitivity of the microphone by changing value (SENS:00 - 31). The frequency of alternating programs is adjustable from 01 - 99 (FQN:01 - 99).



OPERATING INSTRUCTIONS:

DMX MODE

6 CH: The unit works as one section

9 CH: The unit has two sections which can be driven separately (2 x two lamps, CH4 - CH9).

15CH: The unit has four sections which can be driven separately (four lamps, CH4 - CH15).

SETTINGS FOR 6 CH

CH1	CH2	CH3	CH4	CH5	CH6
0-10	blackout	blackout	blackout	blackout	blackout
11-21	Master dimmer(0-255)	Flash (0-255)	Red (0-255)	Green (0-255)	Blue (0-255)
22-32 Red		Flash (0-255)			
33-43 Yellow		Flash (0-255)			
44-54 Green		Flash (0-255)			
55-65 Cyan		Flash (0-255)			
66-76 Blue		Flash (0-255)			
77-87 Purple		Flash (0-255)			
88-98 White		Flash (0-255)			
99-109 Dream	Speed (0-255)	Flash (0-255)			
110-120 Meteor	Speed (0-255)	Flash (0-255)			
121-131 Fade	Speed (0-255)	Flash (0-255)			
132-142 Change	Speed (0-255)	Flash (0-255)			
143-153 Flow 1	Speed (0-255)	Flash (0-255)			
154-164 Flow 2	Speed (0-255)	Flash (0-255)			
165-175 Flow 3	Speed (0-255)	Flash (0-255)			
176-186 Flow 4	Speed (0-255)	Flash (0-255)			
187-197 Flow 5	Speed (0-255)	Flash (0-255)			
198-208 Flow 6	Speed (0-255)	Flash (0-255)			
209-219 Flow 7	Speed (0-255)	Flash (0-255)			
220-230 Flow 8	Speed (0-255)	Flash (0-255)	Colourselect		
231-241 Flow 9	Speed (0-255)	Flash (0-255)	Colourselect		
242-255 Sound control	Speed (0-255)	Flash (0-255)			

ENGLISH

DEUTSCH

FRANCAIS

ESPAÑOL

POLSKI

ITALIANO



OPERATING INSTRUCTIONS:

ENGLISH

DEUTSCH

FRANCAIS

ESPAÑOL

POLSKI

ITALIANO

SETTINGS FOR 9 CH

CH1	CH2	CH3	CH4	CH5	CH6	CH7	CH8	CH9
11-21	Master dimmer (0-255)	Flash (0-255)	R1	G1	B1	R2	G2	B2

CH1 above value 21 same functions as 6 Channel Mode.

SETTINGS FOR 15 CH

CH1	CH2	CH3	CH4	CH5	CH6	CH7	CH8
11-21	Master dimmer (0-255)	Flash (0-255)	R1	G1	B1	R2	G2

CH9	CH10	CH11	CH12	CH13	CH14	CH15
B2	R3	G3	B3	R4	G4	B4

CH1 above value 21 same functions as 6 Channel Mode.



DMX LINKING:

DMX-512

DMX (Digital Multiplex) is a universal protocol used as a form of communication between intelligent fixtures and controllers. A DMX controller sends DMX data instructions from the controller to the fixture. DMX data are sent as serial data that travel from fixture to fixture via the “DATA IN” and “DATA OUT” XLR terminals located on all DMX fixtures (most controllers only have a “DATA OUT” terminal).

DMX LINKING:

DMX is a language allowing all makes and models of different manufactures to be linked together and operate from a single controller, as long as all fixtures and the controller are DMX compliant. To ensure proper DMX data transmission, when using several DMX fixtures try to use the shortest cable path possible. The order in which fixtures are connected in a DMX line does not influence the DMX addressing. For example a fixture assigned to a DMX address of 1 may be placed anywhere in a DMX line, at the beginning, at the end, or anywhere in the middle. When a fixture is assigned a DMX address of 1, the DMX controller knows to send DATA assigned to address 1 to that unit, no matter where it is located in the DMX chain.



Please check out our comprehensive DMX cable choices out of our Adam Hall product lines 3 STAR, 4 STAR and 5 STAR

Also remember that DMX cable must be daisy chained and cannot be split.



DMX CABLES:

ENGLISH

DEUTSCH

FRANCAIS

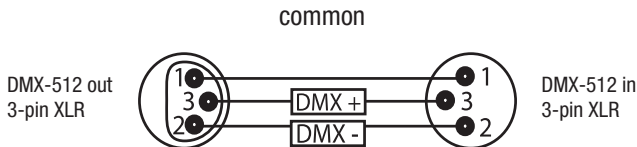
ESPAÑOL

POLSKI

ITALIANO

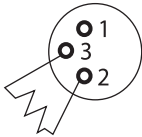
NOTICE:

- Be sure to follow figures 2 & 3 when making your own cables. Do not connect the cable's shield conductor to the ground lug or allow the shield conductor to come in contact with the XLR's outer casing. Grounding the shield could cause a short circuit and erratic behaviour.



SPECIAL NOTE: LINE TERMININATION:

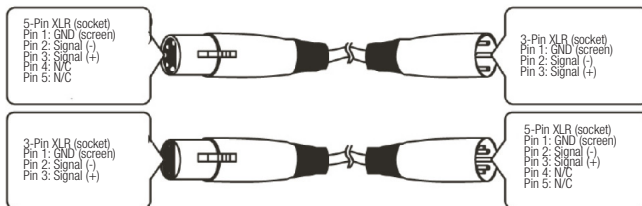
- When longer runs of cable are used, you may need to use a terminator on the last unit to avoid erratic behaviour.



Termination reduces signal transmission problems and interference. It is always advisable to connect a DMX terminator, (resistance 120 Ohm 1/4 W) between pin 2 (DMX-) and pin 3 (DMX+) of the last fixture.

Using a cable terminator (Art. No. K3DMXT3) will decrease the possibilities of erratic behaviour.

- Some manufactures use 5-pin XLR connectors for data transmission in place of 3-pin. 5-Pin XLR fixtures may be implemented in a 3-pin XLR DMX line. When inserting standard 5-pin XLR connectors in to a 3-pin line a cable adaptor must be used. The chart below details the correct cable conversion.





SPECIFICATIONS:

CLMPAR1 WEIGHT & DIMENSIONS

Length	1030 mm
Width	100 mm
Height	290 mm
Weight	5.0 kg
Beam angle	25 °

POWER

Power consumption	max. 50 W
AC input	100 V AC - 250 V AC / 60 Hz

FUSE

Main	F0.5A
------	-------

CONTROL & PROGRAMMING

DMX connection	Locking 3-pin XLR male input socket, 3-pin XLR female output
Protocols	DMX-512 USITT
DMX channels	6 / 9 / 15 selectable
Foot controller connection	5-pin

CLMPAR2 WEIGHT & DIMENSIONS

Length	1030 mm
Width	100 mm
Height	290 mm
Weight	7.0 kg
Beam angle	25 °

POWER

Power consumption	max. 100 W
AC input	100 V AC - 250 V AC / 60 Hz

FUSE

Main	F2A
------	-----

CONTROL & PROGRAMMING

DMX connection	Locking 3-pin XLR male input socket, 3-pin XLR female output
Protocols	DMX-512 USITT
DMX channels	6 / 9 / 15 selectable
Foot controller connection	5-pin

ENGLISH

DEUTSCH

FRANCAIS

ESPAÑOL

POLSKI

ITALIANO



MANUFACTURER'S DECLARATIONS:

LIMITED WARRANTY

This Limited Warranty applies to the Adam Hall, LD Systems, LD Premium, Defender, Palmer, Cameo and Eminence branded products.

The statutory warranty rights towards the seller are not affected by this guarantee. In fact, it justifies, additional independent warranty claims towards Adam Hall.

Adam Hall warrants that the Adam Hall product you have purchased from Adam Hall or from an Adam Hall authorized reseller is free from defects in materials or workmanship under normal use for a period of 2 or 5 years from the date of purchase.

The Limited Warranty Period starts on the date of purchase. In order to receive warranty services you are required to provide proof of the purchase date. Your dated sales or delivery receipt, showing the date of purchase, is your proof of the purchase date. Should products of the brands named above be in need of repair within the limited warranty period, you are entitled to warranty services according to the terms and conditions stated in this document.

This Limited Warranty extends only to the original purchaser of this Adam Hall branded product and is not transferable to anyone who obtains ownership of the Adam Hall branded product from the original purchaser. During the Limited Warranty Period, Adam Hall will repair or replace the defective component parts or the product. All component parts or hardware products removed under this Limited Warranty become the property of Adam Hall.

In the unlikely event that your Adam Hall product has a recurring failure, Adam Hall, at its discretion, may elect to provide you with a replacement unit of Adam Hall's choice that is at least equivalent to your Adam Hall branded product in hardware performance.

Adam Hall does not warrant that the operation of this product will be uninterrupted or error-free. Adam Hall is not responsible for damage that occurs as a result of your failure to follow the instructions included with the Adam Hall branded product.

This Limited Warranty does not apply,

- to wear parts (e.g. accumulator)
- to any product from which the serial number has been removed or that has been damaged or rendered defective as the result of an accident
- in case of, misuse, abuse, or other external causes
- by operation outside the usage parameters stated in the user's documentation shipped with the product by use of spare parts not manufactured or sold by Adam Hall
- by modification or service by anyone other than Adam Hall

These terms and conditions constitute the complete and exclusive warranty agreement between you and Adam Hall regarding the Adam Hall branded product you have purchased.

ENGLISH

DEUTSCH

FRANCAIS

ESPAÑOL

POLSKI

ITALIANO



MANUFACTURER'S DECLARATIONS:

LIMITATION OF LIABILITY

If your Adam Hall branded hardware product fails to work as warranted above, your sole and exclusive remedy shall be repair or replacement. Adam Halls' maximum liability under this limited warranty is expressly limited to the lesser of the price you have paid for the product or the cost of repair or replacement of any hardware components that malfunction in conditions of normal use.

Adam Hall is not liable for any damages caused by the product or the failure of the product, including any lost profits or savings or special, incidental, or consequential damages. Adam Hall is not liable for any claim made by a third party or made by you for a third party.

This limitation of liability applies whether damages are sought, or claims are made, under this Limited Warranty or as a tort claim (including negligence and strict product liability), a contract claim, or any other claim. This limitation of liability cannot be waived or amended by any person. This limitation of liability will be effective even if you have advised Adam Hall of an authorized representative of Adam Hall of the possibility of any such damages. This limitation of liability however, will not apply to claims for personal injury.

This Limited Warranty gives you specific legal rights. You may also have other rights that may vary from state to state or from country to country. You are advised to consult applicable state or country laws for a full determination of your rights.

REQUESTING WARRANTY-SERVICE

To request warranty service for the product, contact Adam Hall or the Adam Hall authorized reseller from which you purchased the product.

EC DECLARATION OF CONFORMITY

These devices meet the essential requirements and further relevant specifications of Directives 2004/108/EC (EMC) and 2006/95/EC (LVD). For more information, see www.adamhall.com.

CORRECT DISPOSAL OF THIS PRODUCT (ELECTRICAL WASTE)

(Applicable in the European Union and other European countries with separate collection systems)



This marking shown on the product or its literature, indicates that it should not be disposed with other household wastes at the end of its working life. To prevent possible harm to the environment or human health from uncontrolled waste disposal, please separate this from other types of wastes and recycle it responsibly to promote the sustainable reuse of material resources.

Household users should contact either the retailer where they purchased this product, or their local government office, for details on where and how they can recycle this item in an environmentally friendly manner.

Business users should contact their supplier and check the terms and conditions of the purchase contract. This product should not be mixed with other commercial wastes for disposal.



MANUFACTURER'S DECLARATIONS:

WEEE-DECLARATION



Your LD-Systems product was developed and manufactured with high quality materials and components which can be recycled and/or reused. This symbol indicates that electrical and electronic equipment must be disposed of separately from normal waste at the end of its operational lifetime.

Please dispose of this product by bringing it to your local collection point or recycling centre for such equipment. This will help to protect the environment in which we all live.

BATTERIES AND ACCUMULATORS



The supplied batteries or rechargeable batteries can be recycled. Please dispose of them as special waste or return them to your specialist dealer. In order to protect the environment, only dispose exhausted batteries.

ENGLISH

DEUTSCH

FRANCAIS

ESPAÑOL

POLSKI

ITALIANO

Adam Hall GmbH, all rights reserved. The technical data and the functional product characteristics can be subject to modifications. The photocopying, the translation, and all other forms of copying of fragments or of the integrality of this user's manual is prohibited.



NOTES:

ENGLISH

DEUTSCH

FRANCAIS

ESPAÑOL

POLSKI

ITALIANO



NOTES:

ENGLISH

DEUTSCH

FRANCAIS

ESPAÑOL

POLSKI

ITALIANO



ENGLISH

DEUTSCH

FRANCAIS

ESPAÑOL

POLSKI

ITALIANO

Wir freuen uns, dass Sie sich für ein Produkt von Cameo Light entschieden haben!

Dieses Gerät wurde unter hohen Qualitätsanforderungen entwickelt und gefertigt, um viele Jahre einen reibungslosen Betrieb zu gewährleisten.

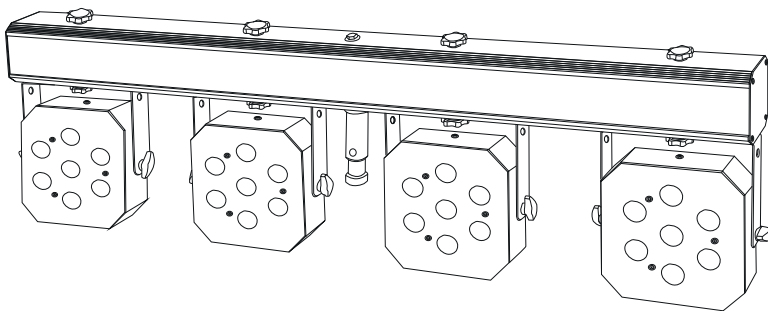
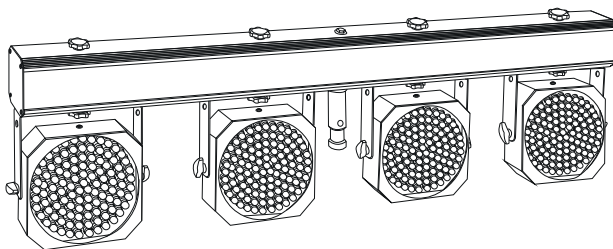
Bitte lesen Sie diese Bedienungsanleitung sorgfältig, damit Sie Ihren neuen Scheinwerfer von Cameo Light schnell optimal einsetzen können.

Weitere Informationen über Cameo Light erhalten Sie auf unserer Website WWW.CAMEOLIGHT.COM.



LED MULTI PAR

LED-LICHTANLAGE CLMPAR1 / CLMPAR2



ENGLISH

DEUTSCH

FRANCAIS

ESPAÑOL

POLSKI

ITALIANO



SICHERHEITSHINWEISE:

- Achten Sie darauf, dass das Netzkabel niemals in Kontakt mit anderen Kabeln kommt. Behandeln Sie das Netzkabel und alle stromführenden Verbindungen mit besonderer Vorsicht!
- Entfernen Sie niemals Warnhinweise oder andere Informationen vom Gerät.
- Öffnen Sie niemals das Gehäuse, und nehmen Sie keine Veränderungen am Gerät vor.
- Schließen Sie diesen Scheinwerfer nicht an eine Dimmer-Einheit an.
- Vermeiden Sie es, den Scheinwerfer in kurzen Abständen ein- und auszuschalten, da sich auf diese Weise die Lebensdauer verringert.
- Verwenden Sie das Gerät ausschließlich im Innenbereich.
- Setzen Sie das Gerät niemals brennbaren Materialien, Flüssigkeiten oder Gasen aus.
- Ziehen Sie stets den Netzstecker, wenn Sie das Gerät nicht benutzen oder wenn Sie es reinigen! Fassen Sie beim Ein- und Ausstecken der Netzzuleitung stets den Netzstecker an. Ziehen Sie den Netzstecker niemals durch Ziehen am Kabel aus der Steckdose.
- Vergewissern Sie sich, dass die Netzspannung zwischen 100 V AC und 250 V AC liegt.
- Achten Sie darauf, dass das Netzkabel niemals gequetscht oder beschädigt wird. Überprüfen Sie das Gerät und das Netzkabel in regelmäßigen Abständen.
- Ziehen Sie sofort den Netzstecker, wenn das Gerät heruntergefallen ist oder beschädigt wurde. Überlassen Sie die Überprüfung des Geräts grundsätzlich qualifizierten Technikern, bevor Sie es wieder in Betrieb nehmen.
- Schalten Sie das Gerät nicht sofort ein, wenn es starken Temperaturschwankungen ausgesetzt war (z.B. nach dem Transport). Das dabei entstehende Kondenswasser kann es unter Umständen beschädigen. Lassen Sie das Gerät so lange ausgeschaltet, bis es Zimmertemperatur erreicht hat.
- Schalten Sie das Gerät bei Funktionsstörungen sofort aus, verpacken es sorgfältig (vorzugsweise in der Originalverpackung) und übergeben es Ihrem Cameo-Fachhändler zur Überprüfung und/oder Reparatur.
- Ersetzen Sie Sicherungen ausschließlich durch Sicherungen gleichen Typs und gleichen Nennwerts.
- Überlassen Sie Reparaturen, Wartung und den Anschluss an das Stromnetz grundsätzlich qualifizierten Technikern. **IM INNEREN DES GERÄTS BEFINDEN SICH KEINE TEILE, DIE VOM BEDIENER REPARIERT ODER GEWARTET WERDEN KÖNNEN.**
- Verwenden Sie ausschließlich vom Hersteller freigegebenes Zubehör, und führen Sie niemals eigenmächtige Änderungen am Gerät durch.
- Wählen Sie die Betriebsumgebung stets so, dass das Gerät vor Vibrationen geschützt und fest montiert ist. Beachten Sie bei hängendem Betrieb (Überkopf-Montage) unbedingt die entsprechenden Rigging-Richtlinien und die Sicherheitsstandards Ihres Landes.
- Vergewissern Sie sich vor Anschluss des Geräts an das Stromnetz, dass die Spannung und die Netzfrequenz den Angaben auf dem Typenschild entsprechen. Falls der Netzstecker Ihres Geräts nicht zu der Netzsteckdose passt, wenden Sie sich sofort an den Hersteller.
- Wenn Flüssigkeiten oder Kleinteile in das Innere des Geräts gelangt sind, schalten Sie es sofort aus und übergeben es einem qualifizierten Servicetechniker zur Sicherheitsüberprüfung.
- Ziehen Sie während eines Gewitters stets den Netzstecker des Geräts aus der Wandsteckdose oder aus der Netzbuchse des Geräts selbst, um Beschädigungen durch Überspannung zu vermeiden.
- Falls das Gerät nicht korrekt funktioniert oder das Netzkabel oder andere Teile beschädigt wurden, ziehen Sie sofort den Netzstecker und übergeben das Gerät einem qualifizierten Servicetechniker zur Überprüfung.
- Ersetzen Sie Geräteteile im Servicefall ausschließlich durch Originalersatzteile, damit die Funktionalität und Sicherheit des Geräts in vollem Umfang gewährleistet bleibt. Vergewissern Sie sich stets, dass Ihr Händler oder Servicetechnik-Unternehmen vom Hersteller des Geräts autorisiert ist.

ENGLISH

DEUTSCH

FRANÇAIS

ESPAÑOL

POLSKI

ITALIANO



SICHERHEIT:

ENGLISH

DEUTSCH

FRANCAIS

ESPAÑOL

POLSKI

ITALIANO

BESTIMMUNGSGEMÄSSER BETRIEB

Verwenden Sie dieses Gerät ausschließlich wie in dieser Bedienungsanleitung beschrieben. Nicht bestimmungsgemäßer Betrieb kann das Gerät beschädigen und führt zum Garantieverlust.

Darüber hinaus kann es bei nicht bestimmungsgemäßigem Betrieb zu Gefahren durch Kurzschluss, Verbrennungen, elektrischen Schlag, Lampendefekt etc. kommen.

Gefährden Sie nicht Ihre Sicherheit und die Sicherheit anderer!

Falsche Installation oder Verwendung kann ernsthafte Schäden für Menschen und Geräte nach sich ziehen.

VORSICHT!

1. **Blicken Sie nicht aus Entfernungen unter 40 cm in den Lichtstrahl.**
2. **Blicken Sie niemals längere Zeit aus kurzem Abstand in den Lichtstrahl.**
3. **Blicken Sie niemals mit optischen Geräten wie Vergrößerungsgläsern in den Lichtstrahl.**



ACHTUNG:

Entfernen Sie niemals die Abdeckung, da sonst das Risiko eines elektrischen Schlages besteht. Im Inneren des Geräts befinden sich keine Teile, die vom Bediener repariert oder gewartet werden können. Lassen Sie Reparaturen ausschließlich von qualifiziertem Servicepersonal durchführen.



Das gleichschenkelige Dreieck mit Blitzsymbol warnt vor nichtisolierten, gefährlichen Spannungen im Geräteinneren, die einen elektrischen Schlag verursachen können.



Das gleichschenkelige Dreieck mit Ausrufungszeichen kennzeichnet wichtige Bedienungs- und Wartungshinweise.



EINFÜHRUNG:

FEATURES

LED MULTI PAR (CLMPAR1)

- 432 (4 x 108) ultra-leuchtstarke 10-mm-RGB-LEDs
- Abstrahlwinkel 25°
- Inklusive Transport-Case
- Fußpedal-Eingang (Fußpedal CLMPARFOOT als Zubehör erhältlich)
- DMX-512-Protokoll
- DMX-Modus wählbar (6- / 9- / 15-Kanal)
- Master/Slave-Betrieb
- Standalone-Modus
- Bedienfeld mit 4 Tasten
- 14 Programme
- Robustes Metallgehäuse
- Beleuchtetes LC-Display
- Stativhalterung: 28-mm-TV-Zapfen

FEATURES

LED MULTI PAR (CLMPAR2)

- 28 (4 x 7) ultra-leuchtstarke TRI-LEDs (3 W)
- Abstrahlwinkel 25°
- Inklusive Transport-Case
- Fußpedal-Eingang (Fußpedal CLMPARFOOT als Zubehör erhältlich)
- DMX-512-Protokoll
- DMX-Modus wählbar (6- / 9- / 15-Kanal)
- Master/Slave-Betrieb
- Standalone-Modus
- Bedienfeld mit 4 Tasten
- 14 Programme
- Robustes Metallgehäuse
- Beleuchtetes LC-Display
- Stativhalterung: 28-mm-TV-Zapfen

Das CAMEO LIGHT **LED MULTI PAR**-System ist eine innovative Lichtanlage, die sich innerhalb von nur 2 Minuten installieren lässt.

ENGLISH

DEUTSCH

FRANCAIS

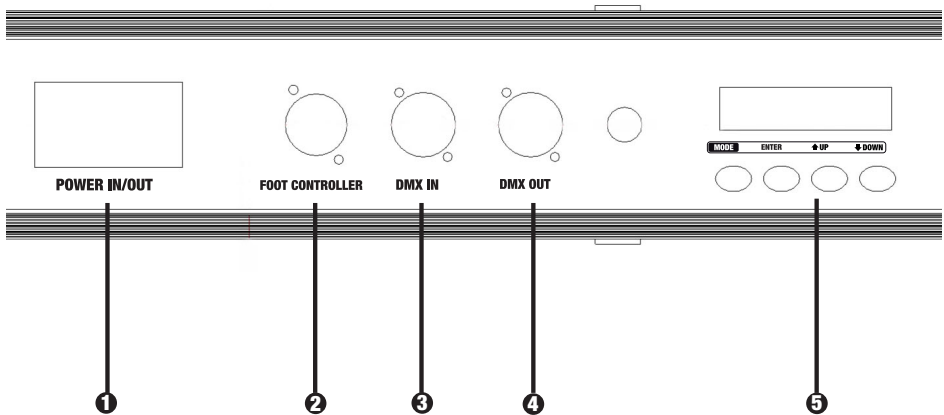
ESPAÑOL

POLSKI

ITALIANO



RÜCKSEITE:



- ❶ NETZBUCHSE
- ❷ FUSSPEDAL-EINGANG
- ❸ DMX-EINGANG
- ❹ DMX-AUSGANG
- ❺ BEDIENFELD MIT TASTEN UND DISPLAY

ENGLISH

DEUTSCH

FRANCAIS

ESPAÑOL

POLSKI

ITALIANO



BEDIENUNGSANLEITUNG:

INTEGRIERTE PROGRAMME

Sie können zwischen 14 integrierten Programmen (01-14) wählen. In den Programmen STATIC, FLOW 8 und FLOW 9 (01, 13, 14) stehen sowohl der Blackout-Modus (COL:BLA) als auch die sieben Farben (Rot, Gelb, Grün, Cyan, Blau, Violett, Weiß) zur Verfügung.

Das Blinkintervall bietet einen Wertebereich von 0-99 (Flash00-99).

In den Programmen 2-14 (02-14) können Sie die Geschwindigkeit (Speed00-99) der einzelnen Betriebsarten sowie das Blinkintervall aller 7 Farben einstellen.

Drücken Sie die MODE-Taste (falls erforderlich, mehrmals), um eine der folgenden Betriebsarten auszuwählen: Programm 01 – 14, AUTO RUN (Auto-Betrieb), DMX MODE (DMX-Betrieb), SLAVE MODE (Slave-Betrieb), SOUND MODE (Musiksteuerung).

Wenn Sie ein Programm auswählen möchten, wechseln Sie zunächst in den Programm-Modus und bestätigen einmal mit ENTER (Programmnummer blinkt).

Nun können Sie das gewünschte Programm mittels der UP- und DOWN-Tasten auswählen. In Programm 01 können Sie durch Drücken der ENTER-Taste (ggf. mehrmals) Farbe und Blinkintervall ändern (es blinkt jeweils die letzte Ziffer).

Den Wert können Sie anschließend über die Tasten UP und DOWN einstellen.

In Programm 02 - 12 können Sie durch Drücken der ENTER-Taste (ggf. mehrmals) die Geschwindigkeit und das Blinkintervall ändern (es blinkt jeweils die letzte Ziffer). Den Wert können Sie anschließend über die Tasten UP und DOWN einstellen.

In Programm 13 und 14 können Sie durch Drücken der ENTER-Taste (ggf. mehrmals) die Geschwindigkeit, das Blinkintervall, Farbe 1 (C1) und Farbe 2 (C2) auswählen (es blinkt jeweils die letzte Ziffer). Den Wert können Sie anschließend über die Tasten UP und DOWN einstellen.

PROGRAMM	MODUS	FUNKTION
P01	STATIC COLOUR	Blackout 7 Farben Blinkintervall regelbar
P02	DREAM	7-Farben-Dream-Modus Geschwindigkeit und Blinkintervall regelbar
P03	METEOR	7-Farben-Flow-Modus (fließender Wechsel) Geschwindigkeit und Blinkintervall regelbar
P04	FADE	7-Farben-Fade-Modus (Überblenden) Geschwindigkeit und Blinkintervall regelbar
P05	CHANGE	7-Farben-Change-Modus (Farbwechsel) Geschwindigkeit und Blinkintervall regelbar
P06	FLOW 1	7-Farben-Chase-Modus (Lauflicht; 1 Sequenz) Geschwindigkeit und Blinkintervall regelbar
P07	FLOW 2	7-Farben-Chase-Modus (Lauflicht, 2 Sequenzen) Geschwindigkeit und Blinkintervall regelbar
P08	FLOW 3	7-Farben-Chase-Modus (Lauflicht, 1 Relay-Sequenz) Geschwindigkeit und Blinkintervall regelbar



BEDIENUNGSANLEITUNG:

P09	FLOW 4	7-Farben-Chase-Modus (Lauflicht, 2 Relay-Sequenzen) Geschwindigkeit und Blinkintervall regelbar
P10	FLOW 5	7-Farben-Chase-Modus (Lauflicht, 2 Seiten zur Mitte) Geschwindigkeit und Blinkintervall regelbar
P11	FLOW 6	7-Farben-Modus (von der Mitte nach beiden Seiten) Geschwindigkeit und Blinkintervall regelbar
P12	FLOW 7	7-Farben-Chase-Modus (Lauflicht) Geschwindigkeit und Blinkintervall regelbar
P13	FLOW 8	2-Farben-Chase-Modus (1 Sequenz) Geschwindigkeit und Blinkintervall regelbar Blackout & 7 Farben
P14	FLOW 9	2-Farben-Chase-Modus (2 Sequenzen) Geschwindigkeit und Blinkintervall regelbar Blackout & 7 Farben

ENGLISH

DEUTSCH

FRANCAIS

ESPAÑOL

POLSKI

ITALIANO

AUTO-MODUS

Die Programme 02 - 14 werden nacheinander ausgeführt. Die Programmwechselgeschwindigkeit (Frequenz) bietet einen Wertebereich von 01 - 99 (FQN:01 - 99)

SLAVE-MODUS

Im Slave-Modus folgt die Lichtenanlage dem Master-Gerät (alle Betriebsarten außer DMX- und Slave-Betrieb). Die Verbindung zwischen Master- und Slave-Gerät erfolgt über ein DMX-Kabel.

MUSIKSTEUERUNG

In der Betriebsart "Musiksteuerung" (Sound-Modus) wird die Lichtenanlage über das eingebaute Mikrofon gesteuert und folgt dem Takt der Musik. Die Einstellung der Empfindlichkeit des Mikrofons erfolgt durch Änderung des entsprechenden Werts (SENS:00 - 31). Die Programmwechselgeschwindigkeit (Frequenz) bietet einen Wertebereich von 01 - 99 (FQN:01 - 99).



BEDIENUNGSANLEITUNG:

DMX-MODUS

6-Kanal: Das Gerät arbeitet als eine Einheit.

9-Kanal: Das Gerät ist in zwei Bereiche aufgeteilt, die separat angesteuert werden können (2 x 2 Scheinwerfer, CH4 - CH9).

15-Kanal: Das Gerät ist in vier Bereiche aufgeteilt, die separat angesteuert werden können (4 Scheinwerfer, CH4 - CH15).

EINSTELLUNGEN 6-KANAL-BETRIEB

CH1	CH2	CH3	CH4	CH5	CH6
0-10	Blackout	Blackout	Blackout	Blackout	Blackout
11-21	Master-Dimmer (0-255)	Blinkintervall (0-255)	Rot (0-255)	Grün (0-255)	Blau (0-255)
22-32 Rot		Blinkintervall (0-255)			
33-43 Gelb		Blinkintervall (0-255)			
44-54 Grün		Blinkintervall (0-255)			
55-65 Cyan		Blinkintervall (0-255)			
66-76 Blau		Blinkintervall (0-255)			
77-87 Violett		Blinkintervall (0-255)			
88-98 White		Blinkintervall (0-255)			
99-109 Dream	Geschwindigkeit (0-255)	Blinkintervall (0-255)			
110-120 Meteor	Geschwindigkeit (0-255)	Blinkintervall (0-255)			
121-131 Fade	Geschwindigkeit (0-255)	Blinkintervall (0-255)			
132-142 Change	Geschwindigkeit (0-255)	Blinkintervall (0-255)			
143-153 Flow 1	Geschwindigkeit (0-255)	Blinkintervall (0-255)			

ENGLISH

DEUTSCH

FRANCAIS

ESPAÑOL

POLSKI

ITALIANO



BEDIENUNGSANLEITUNG:

154-164 Flow 2	Geschwindigkeit (0-255)	Blinkintervall (0-255)			
165-175 Flow 3	Geschwindigkeit (0-255)	Blinkintervall (0-255)			
176-186 Flow 4	Geschwindigkeit (0-255)	Blinkintervall (0-255)			
187-197 Flow 5	Geschwindigkeit (0-255)	Blinkintervall (0-255)			
198-208 Flow 6	Geschwindigkeit (0-255)	Blinkintervall (0-255)			
209-219 Flow 7	Geschwindigkeit (0-255)	Blinkintervall (0-255)			
220-230 Flow 8	Geschwindigkeit (0-255)	Blinkintervall (0-255)	Farbwahl		
231-241 Flow 9	Geschwindigkeit (0-255)	Blinkintervall (0-255)	Farbwahl		
242-255 Musiksteuerung	Geschwindigkeit (0-255)	Blinkintervall (0-255)			

ENGLISH

DEUTSCH

FRANCAIS

ESPAÑOL

POLSKI

ITALIANO

EINSTELLUNGEN 9-KANAL-BETRIEB

CH1	CH2	CH3	CH4	CH5	CH6	CH7	CH8	CH9
11-21	Master-Dimmer (0-255)	Blinkintervall (0-255)	R1	G1	B1	R2	G2	B2

In Kanal 1 (CH1) entsprechen alle Werte über 21 den Funktionen des 6-Kanal-Modus.

EINSTELLUNGEN 15-KANAL-BETRIEB

CH1	CH2	CH3	CH4	CH5	CH6	CH7	CH8
11-21	Master-Dimmer (0-255)	Blinkintervall (0-255)	R1	G1	B1	R2	G2

CH9	CH10	CH11	CH12	CH13	CH14	CH15
B2	R3	G3	B3	R4	G4	B4

In Kanal 1 (CH1) entsprechen alle Werte über 21 den Funktionen des 6-Kanal-Modus.



DMX-VERBINDUNG:

DMX-512

DMX (Digital Multiplex) is a universal protocol used as a form of communication between intelligent fixtures and controllers. A DMX controller sends DMX data instructions from the controller to the fixture. DMX data are sent as serial data that travel from fixture to fixture via the “DATA IN” and “DATA OUT” XLR terminals located on all DMX fixtures (most controllers only have a “DATA OUT” terminal).

DMX LINKING:

DMX is a language allowing all makes and models of different manufactures to be linked together and operate from a single controller, as long as all fixtures and the controller are DMX compliant. To ensure proper DMX data transmission, when using several DMX fixtures try to use the shortest cable path possible. The order in which fixtures are connected in a DMX line does not influence the DMX addressing. For example a fixture assigned to a DMX address of 1 may be placed anywhere in a DMX line, at the beginning, at the end, or anywhere in the middle. When a fixture is assigned a DMX address of 1, the DMX controller knows to send DATA assigned to address 1 to that unit, no matter where it is located in the DMX chain.



Please check out our comprehensive DMX cable choices out of our Adam Hall product lines 3 STAR, 4 STAR and 5 STAR

Also remember that DMX cable must be daisy chained and cannot be split.



DMX-KABEL:

ENGLISH

DEUTSCH

FRANCAIS

ESPAÑOL

POLSKI

ITALIANO

HINWEIS:

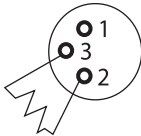
- Beachten Sie bei der Anfertigung eigener Kabel unbedingt die Abbildungen 2 und 3. Verbinden Sie auf keinen Fall die Abschirmung des Kabels mit dem Massekontakt des Steckers, und achten Sie darauf, dass die Abschirmung nicht mit dem XLR-Steckergehäuse in Kontakt kommt. Hat die Abschirmung Massekontakt, kann dies zu Kurzschlüssen und Systemfehlern führen.

Übliche Verbindung



BITTE BEACHTEN SIE: LEITUNGSABSCHLUSS (TERMINIERUNG):

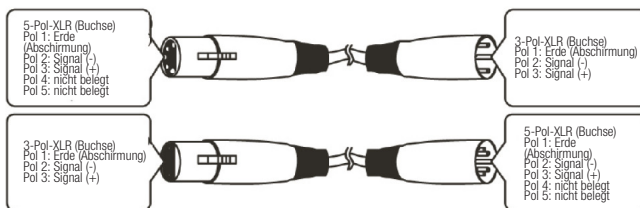
- Bei längeren Kabelstrecken kann es sein, dass das letzte Gerät in der Kette einen Abschlusswiderstand benötigt, um Systemfehlern vorzubeugen.



Die Verwendung eines Abschlusswiderstands (Terminierung) reduziert Interferenzen und andere Probleme bei der Signalübertragung. Es ist immer ratsam, ein DMX-Abschlussmodul (Widerstand 120 Ohm, 1/4 W) zwischen Pol 2 (DMX-) und Pol 3 (DMX+) des letzten Geräts in der Kette einzufügen.

Dies wird durch ein Kabel-Abschlussmodul (Art.-Nr. K3DMXT3) erreicht.

- Einige Hersteller verwenden für die Datenübertragung keine 3-Pol-XLR-Steckverbinder, sondern 5-Pol-Versionen. Geräte mit 5-Pol-XLR-Anschlüssen können jedoch auch in einen DMX-Verbund mit 3-Pol-XLR-Anschlüssen integriert werden. In diesem Fall ist ein geeigneter Kabeladapter erforderlich. Die folgende Abbildung zeigt die korrekte Belegung der entsprechenden Stecker.





TECHNISCHE DATEN:

ENGLISH

DEUTSCH

FRANÇAIS

ESPAÑOL

POLSKI

ITALIANO

CLMPAR1 — GEWICHT & ABMESSUNGEN

Länge	1030 mm
Breite	100 mm
Höhe	290 mm
Gewicht	5,0 kg
Abstrahlwinkel	25 °

ELEKTRISCHE DATEN

Leistungsaufnahme	max. 50 W
Stromversorgung	110 V – 250 V AC / 60 Hz

SICHERUNG

Hauptsicherung	0,5 A (flink)
----------------	---------------

STEUERUNG & PROGRAMMIERUNG

DMX-Anschluss	Verriegelbare 3-Pol-XLR(m)-Buchse (Eingang), 3-Pol-XLR(f)-Buchse (Ausgang)
Protokolle	DMX-512 USITT
DMX-Kanäle	6 / 9 / 15 (wählbar)
Fußpedal-Anschluss	5-Pol

CLMPAR2 — GEWICHT & ABMESSUNGEN

Länge	1030 mm
Breite	100 mm
Höhe	290 mm
Gewicht	7,0 kg
Abstrahlwinkel	25 °

ELEKTRISCHE DATEN

Leistungsaufnahme	max. 100 W
Stromversorgung	110 V – 250 V AC / 60 Hz

SICHERUNG

Hauptsicherung	2 A (flink)
----------------	-------------

STEUERUNG & PROGRAMMIERUNG

DMX-Anschluss	Verriegelbare 3-Pol-XLR(m)-Buchse (Eingang), 3-Pol-XLR(f)-Buchse (Ausgang)
Protokolle	DMX-512 USITT
DMX-Kanäle	6 / 9 / 15 (wählbar)
Fußpedal-Anschluss	5-Pol



HERSTELLERERKLÄRUNGEN:

GARANTIEBESTIMMUNGEN

Diese Garantie erstreckt sich auf die Marken Adam Hall, LD Systems, LD Premium, Defender, Palmer, Cameo und Eminence.

Die gesetzlichen Gewährleistungsrechte gegenüber dem Verkäufer werden von dieser Garantie nicht berührt. Vielmehr begründet diese Garantie zusätzliche selbständige Ansprüche gegenüber Adam Hall.

Mit dieser Garantie stellt Adam Hall sicher, dass das von Ihnen bei Adam Hall oder einem Adam Hall Partner erworbene Produkt bei normalem Gebrauch während des Zeitraums von 2 bzw. 5 Jahren ab Kaufdatum frei von Material- oder Verarbeitungsfehlern ist.

Der Garantiezeitraum beginnt mit dem Datum des Kaufs.

Der Geltendmachung eines Anspruchs auf Garantieleistungen erforderliche Nachweis des Kaufdatums, erfolgt durch die mit dem Kaufdatum versehene Quittung oder den mit dem Kaufdatum versehenen Lieferschein. Sie haben Anspruch auf den Garantieservice zu den in diesem Dokument aufgeführten Bedingungen und Bestimmungen, falls eine Reparatur der unter den oben genannten Marken vertriebenen Produkte innerhalb des Garantiezeitraums erforderlich ist.

Diese Garantie gilt nur für den ursprünglichen Käufer des von Adam Hall vertriebenen Produkts und ist nicht an Personen übertragbar, denen vom ursprünglichen Käufer das Eigentum am Adam Hall Produkt übertragen wird. Innerhalb des Garantiezeitraums werden die fehlerhaften Komponenten oder das Produkt von Adam Hall repariert oder ersetzt. Alle im Rahmen dieser Garantie entfernten Komponenten und Hardware-Produkte gehen in das Eigentum von Adam Hall über.

In dem unwahrscheinlichen Fall, dass bei dem von Ihnen erworbenen Adam Hall Produkt ein Fehler wiederholt auftritt, kann Adam Hall nach eigenem Ermessen entscheiden, Ihnen dieses Produkt durch ein vergleichbares Produkt mit mindestens derselben Leistung zu ersetzen.

Adam Hall übernimmt keine Garantie für einen störungs- oder fehlerfreien Betrieb dieses Produkts. Adam Hall übernimmt keine Verantwortung für auf eine inkorrekte Befolgung der im Lieferumfang des Adam Hall enthaltenen Anweisungen zurückzuführenden Schäden.

Diese Garantie erstreckt sich nicht auf

- Verschleißteile (z.B. Akkumulator).
- Geräte deren Seriennummer entfernt wurde oder die beschädigt oder fehlerhaft wurden als Folge eines Unfalls.
- nicht sachgerechter oder missbräuchlicher Verwendung oder anderer missbräuchlicher Verwendung oder anderer äußerer Ursachen.
- Geräte die nicht entsprechend den Betriebsparametern betrieben wurden, die in den im Lieferumfang des Produkts enthaltenen Benutzerunterlagen festgelegt sind.
- Geräte die aufgrund der Verwendung nicht von Adam Hall hergestellter oder vertriebener Teile repariert wurden.
- Geräte die durch Änderung oder Wartung durch jemand anderen als Adam Hall getätigt wurde.

Diese Bestimmungen und Bedingungen stellen die vollständige und ausschließliche Garantievereinbarung zwischen Ihnen und Adam Hall für das von Ihnen erworbene Adam Hall Produkt dar.

ENGLISH

DEUTSCH

FRANCAIS

ESPAÑOL

POLSKI

ITALIANO



HERSTELLERERKLÄRUNGEN:

HAFTUNGSBESCHRÄNKUNG

Wenn das unter der Marke Adam Hall vertriebene Produkt nicht entsprechend der obigen Garantie funktioniert, besteht Ihr alleiniger und ausschließlicher Anspruch aus dieser Garantie in der Reparatur oder dem Ersatz. Weitergehende Gewährleistungsansprüche bleiben hiervon unberührt. Die maximale Haftung von Adam Hall im Rahmen dieser Garantie ist ausdrücklich beschränkt auf den jeweils niedrigeren Betrag, der sich entweder aus dem Kaufpreis für das Produkt oder aus den Reparatur- bzw. Ersatzkosten von Hardware-Komponenten, die bei normalem Gebrauch nicht Ordnungsgemäß funktionieren, ergibt.

Adam Hall haftet aus dieser Garantie nicht für durch das Produkt oder sein versagen verursachte Schäden, einschließlich entgangener Gewinne, unterbliebener Einsparungen oder besonderer, indirekter oder Folgeschäden. Adam Hall haftet zudem nicht für von Dritten oder von ihnen für Dritte geltend gemachte Ansprüche.

Diese Haftungsbeschränkung gilt unabhängig davon, ob Schäden gerichtlich verfolgt werden, ob Schadenersatzansprüche im Rahmen dieser Garantie oder aufgrund unerlaubter Handlungen (Einschließlich Fahrlässigkeit und Gefährdungshaftung) oder aufgrund vertraglicher bzw. sonstiger Ansprüche gestellt werden. Diese Haftungsbeschränkung kann von keiner Person aufgehoben oder ergänzt werden. Diese Haftungsbeschränkung gilt auch dann, wenn sie Adam Hall über die Möglichkeit derartiger Schäden informiert haben. Sie gilt jedoch nicht für Ansprüche aus Personenschäden.

Aus dieser Garantie ergeben sich für Sie bestimmte Rechte. Möglicherweise haben Sie weitere Rechte, die Ihnen von Staat zu Staat und von Land zu Land unterschiedlich sein können. Es ist ratsam, die entsprechenden Gesetze des Staates bzw. Landes heranzuziehen, um Ihre Rechte umfassend zu ermitteln.

INANSPRUCHNAHME DES REPARATURSERVICE

Um den Garantieservice bzw. Reparaturservice für das Produkt in Anspruch zu nehmen, wenden Sie sich bitte an Adam Hall oder an einen Adam Hall Partner, bei dem Sie das Produkt erworben haben.

EG-KONFORMITÄTserklärung

Diese Geräte entsprechen den grundlegenden Anforderungen und den weiteren Vorgaben der Richtlinien 2004/108/EC (EMC) und 2006/95/EC (LVD). Weitere Informationen finden Sie unter www.adamhall.com.

KORREKTE ENTSORGUNG DIESES PRODUKTES

(Gültig in der Europäischen Union)



Dieses Symbol (entweder auf dem Gerät oder dem dazugehörigen Handbuch) weist darauf hin, dass das Gerät nicht mit dem normalen Hausmüll entsorgt werden darf. Um mögliche Schäden an der Umwelt und an Personen zu verhindern, entsorgen Sie dieses Gerät bitte fachgerecht bei einer entsprechenden Stelle für Elektromüll.

Als Privatkunde Informieren Sie sich bitte beim Hersteller oder bei Ihrer Gemeinde über die Möglichkeiten der korrekten Entsorgung.

Als Geschäftskunde kontaktieren Sie bitte Ihren Lieferanten und prüfen Sie die Konditionen zur Entsorgung der Geräte. Dieses Produkt sollte nicht mit anderem gewerblichen Abfall entsorgt werden.

ENGLISH

DEUTSCH

FRANCAIS

ESPAÑOL

POLSKI

ITALIANO



HERSTELLERERKLÄRUNGEN:

WEEE-DEKLARATION



Ihr LD-Systems Produkt wurde unter der Verwendung hochwertiger Materialien und Komponenten die wiederverwertet oder wieder verwendet werden können hergestellt. Dieses Symbol weist darauf hin, dass elektronische Geräte nicht im normalen Hausmüll entsorgt werden dürfen. Entsorgen Sie dieses Gerät bitte fachgerecht bei einer entsprechenden Stelle für Elektromüll und helfen Sie dabei unsere Umwelt zu schützen.

BATTERIEN UND AKKUS



Die mitgelieferten Batterien können wiederverwertet werden. Werfen Sie die Batterien daher nicht in den normalen Hausmüll sondern in gesonderte dafür vorgesehene Container. Helfen Sie, unsere Umwelt sauber zu halten.

ENGLISH

DEUTSCH

FRANCAIS

ESPAÑOL

POLSKI

ITALIANO

Adam Hall GmbH, alle Rechte vorbehalten. Die technischen Daten und die funktionalen Produkteigenschaften können Änderungen und Irrtümer vorbehalten. Das Kopieren, die Übersetzung, und alle anderen Formen des Kopierens von Fragmenten oder der Vollständigkeit dieser Bedienungsanleitung ist untersagt.



NOTIZEN:

ENGLISH

DEUTSCH

FRANCAIS

ESPAÑOL

POLSKI

ITALIANO



NOTIZEN:

ENGLISH

DEUTSCH

FRANCAIS

ESPAÑOL

POLSKI

ITALIANO



ENGLISH

DEUTSCH

FRANCAIS

ESPAÑOL

POLSKI

ITALIANO

Merci d'avoir choisi Cameo Light !

Nous avons conçu ce produit en vue d'une fiabilité optimale pendant des années.

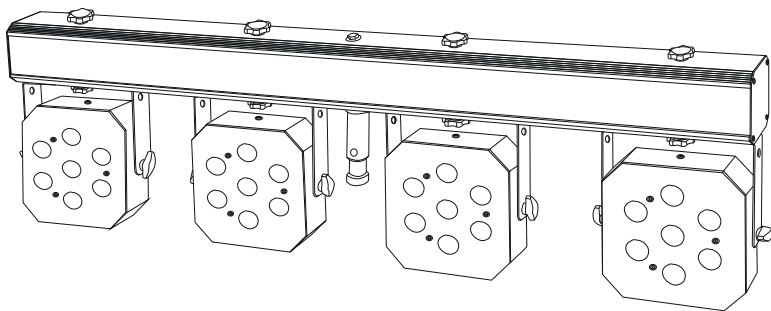
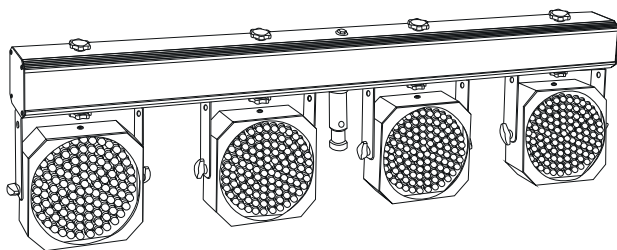
Veuillez prendre quelques instants pour lire attentivement ces instructions - cela vous permettra d'utiliser plus rapidement et de façon optimale votre nouveau produit Cameo Light.

Pour plus d'informations sur Cameo Light, visitez notre site Web, WWW.CAMEOLIGHT.COM



LED MULTI PAR

SET DE PROJECTEURS À LED CLMPAR1/CLMPAR2



ENGLISH

DEUTSCH

FRANCAIS

ESPAÑOL

POLSKI

ITALIANO



MESURES PRÉVENTIVES :

- Ne laissez jamais le câble d'alimentation entrer en contact avec d'autres câbles. Manipulez le câble d'alimentation et tous les câbles transportant la tension secteur avec une attention particulière !
- Ne décollez jamais les étiquettes d'avertissement ou d'information de l'appareil.
- N'ouvrez jamais l'appareil, et ne le modifiez sous aucun prétexte.
- Ne connectez jamais cet appareil à un dimmer.
- N'éteignez pas l'appareil pour le rallumer immédiatement : vous réduiriez ainsi sa durée de vie.
- N'utilisez l'appareil qu'en intérieur.
- N'exposez pas l'appareil à une flamme ni à une source inflammable (liquide, gaz...).
- Débranchez toujours l'appareil du secteur lorsque vous ne l'utilisez plus, ou avant de le nettoyer. Manipulez toujours le câble secteur en le tenant par sa fiche. Ne débranchez jamais l'appareil en tirant sur le câble secteur.
- Vérifiez que la tension secteur disponible est comprise entre 100 V AC et 250 V AC.
- Vérifiez que le câble secteur n'est pas pincé ni endommagé. Vérifiez régulièrement l'état de l'appareil et de son câble secteur.
- Si l'appareil a subi une chute ou est endommagé, débranchez-le du secteur immédiatement. Faites-le inspecter par un ingénieur qualifié avant de le remettre en fonctionnement.
- Si l'appareil a été exposé à des fluctuations de température importantes (par exemple, à l'issue de son transport), ne le mettez pas immédiatement sous tension. La condensation résultante est susceptible de l'endommager. Laissez l'appareil hors tension jusqu'à ce qu'il se soit mis à la température du local.
- Si votre appareil semble ne pas fonctionner correctement, débranchez-le immédiatement. Emballez-le soigneusement (de préférence en utilisant le carton original) et renvoyez-le à votre revendeur Cameo pour réparation.
- N'utilisez que des fusibles du même type et de même calibre que l'original.
- Les réparations, l'entretien et les branchements secteur doivent être assurés exclusivement par un technicien qualifié. **CET APPAREIL NE CONTIENT AUCUNE PIÈCE RÉPARABLE PAR L'UTILISATEUR.**
- N'utilisez aucun accessoire et n'effectuez aucune modification non autorisée par le fabricant de cet appareil.
- Pour utiliser l'appareil, choisissez un emplacement où il est protégé des vibrations, et où il est possible de le monter de façon fixe. Dans le cas d'une installation en hauteur, conformez-vous aux règles d'accroche appropriées et suivez les normes en vigueur dans votre pays en matière de sécurité et d'accroche.
- Avant de brancher la fiche secteur dans la prise murale, vérifiez que les valeurs de tension et de fréquence sont celles pour lesquelles ce produit est spécifié. Au cas où la fiche secteur ne correspond pas à la prise murale, contactez immédiatement votre revendeur.
- Si des fluides, ou de petits objets, ont réussi à pénétrer dans l'appareil, éteignez-le immédiatement et confiez-le à un centre de S.A.V. autorisé pour un contrôle de sécurité.
- En cas d'orage, débranchez l'appareil en retirant sa fiche secteur de la prise murale, ou au niveau de la prise secteur de l'appareil, afin d'éviter tout dommage consécutif à d'éventuelles surtensions.
- Si l'appareil ne fonctionne pas correctement, si le cordon secteur ou un autre composant est endommagé, débranchez immédiatement la fiche secteur de la prise murale, et confiez l'appareil à un centre de S.A.V. autorisé pour contrôle de sécurité.
- Pour garantir la même sécurité et les mêmes fonctionnalités à l'issue d'une intervention sur l'appareil, il est essentiel de remplacer les pièces originales par des pièces détachées d'origine. Par conséquent, ne confiez votre appareil qu'à votre revendeur, ou à un centre technique agréé par le fabricant.

ENGLISH

DEUTSCH

FRANCAIS

ESPAÑOL

POLSKI

ITALIANO



SÉCURITÉ :

ENGLISH

DEUTSCH

FRANCAIS

ESPAÑOL

POLSKI

ITALIANO

CONSEILS D'UTILISATION

Si l'appareil est utilisé d'une façon différente de celle décrite dans ce manuel utilisateur, le produit peut subir des dommages, et la garantie sera annulée.

Une utilisation incorrecte peut provoquer des dangers, par exemple : court-circuit, brûlures, électrocution, défaillance de la lampe, etc.

Ne mettez pas en danger votre sécurité ni celle des autres !

Une installation ou une utilisation incorrecte peut provoquer de sérieux dommages aux personnes et aux objets.

ATTENTION !

- 1. Ne regardez pas le faisceau depuis une distance inférieure à 40 cm.**
- 2. Ne fixez pas le faisceau pendant des périodes prolongées depuis une courte distance.**
- 3. Ne regardez pas directement le faisceau au travers d'instruments optiques, loupes par exemple.**



ATTENTION :

Pour éviter tout risque d'électrocution, ne démontez pas le capot (ou le panneau arrière). L'appareil ne contient aucune pièce réparable par l'utilisateur. Veuillez confier la maintenance de l'appareil à un personnel qualifié.



Le pictogramme d'éclair avec pointe de flèche dans un triangle équilatéral est prévu pour alerter l'utilisateur de la présence d'une "tension dangereuse" non isolée à l'intérieur du coffret de l'appareil – tension suffisamment élevée pour constituer un risque pour l'organisme humain.



Le point d'exclamation à l'intérieur d'un triangle équilatéral sert à attirer l'attention de l'utilisateur sur la présence d'instructions importantes, relatives à l'utilisation ou à la maintenance, dans la brochure livrée avec l'appareil.



INTRODUCTION :

FONCTIONNALITÉS

LED MULTI PAR (CLMPAR1)

- 432 (4 x 108) LED RGB ultra brillantes de 10 mm
- Angle du faisceau lumineux 25 degrés
- Livré avec valise de transport
- Entrée pour pédalier (pédalier CLMPARFOOT en option)
- Protocole DMX-512
- Sélection de mode DMX 6, 9 ou 15 canaux
- Mode maître/esclave
- Modes autonomes
- Panneau de commande à 4 boutons
- 14 programmes intégrés
- Boîtier métallique robuste
- Afficheur LCD rétroéclairé
- Montage sur trépied au moyen d'un goujon adaptateur de 28 mm

FONCTIONNALITÉS

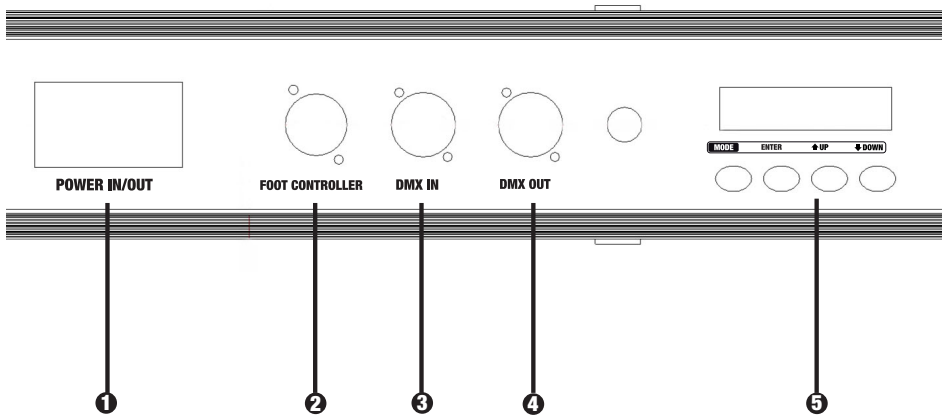
LED MULTI PAR (CLMPAR2)

- 28 (4 x 7) LED tricolores ultra brillantes de 3 W
- Angle du faisceau lumineux 25 degrés
- Livré avec valise de transport
- Entrée pour pédalier (pédalier CLMPARFOOT en option)
- Protocole DMX-512
- Sélection de mode DMX 6, 9 ou 15 canaux
- Mode maître/esclave
- Modes autonomes
- Panneau de commande à 4 boutons
- 14 programmes intégrés
- Boîtier métallique robuste
- Afficheur LCD rétroéclairé
- Montage sur trépied au moyen d'un goujon adaptateur de 28 mm

Voici la série innovante des puissants projecteurs à **LED MULTI PAR** de CAMEO LIGHT dont la conception pratique en permet l'installation en moins de 2 minutes.



PANNEAU ARRIÈRE :



- ❶ ENTRÉE ET SORTIE ALIMENTATION SECTEUR (POWER IN/OUT)
- ❷ ENTRÉE POUR PÉDALIER (FOOT CONTROLLER)
- ❸ ENTRÉE DMX (DMX IN)
- ❹ SORTIE DMX (DMX OUT)
- ❺ BOUTONS DE MENU ET AFFICHEUR

ENGLISH

DEUTSCH

FRANÇAIS

ESPAÑOL

POLSKI

ITALIANO



INSTRUCTIONS D'UTILISATION :

PROGRAMMES INTÉGRÉS

Choix de 14 programmes intégrés (01 à 14). Dans les programmes STATIC, FLOW 8 et FLOW 9 (01, 13 et 14), vous pouvez choisir Blackout (COL:BLA) ainsi que toutes les 7 couleurs : Red (rouge), Yellow (jaune), Green (vert), Cyan, Blue (bleu), Purple (violet) et White (blanc).

L'intervalle des éclats est réglable de 0 À 99 (Flash00-99).

Dans les programmes 2 à 14 (02-14), vous pouvez régler la vitesse (Speed00-99) de chaque mode ainsi que l'intervalle des éclats des 7 couleurs.

Pour sélectionner différents modes (mode Programme 01 à 14, AUTO RUN, DMX MODE, SLAVE MODE, SOUND MODE), appuyez sur le bouton MODE (plusieurs fois si nécessaire).

Pour sélectionner un programme, choisissez le mode Programme, puis appuyez une fois sur ENTER (le numéro du programme clignote).

Sélectionnez le programme souhaité à l'aide des boutons UP (haut) ou DOWN (bas). Pour modifier la couleur et l'intervalle des éclats (le dernier chiffre clignote dans chaque cas) du programme 01, appuyez sur ENTER (plusieurs fois si nécessaire).

Modifiez la valeur à l'aide des boutons UP (haut) ou DOWN (bas).

Pour modifier la vitesse et l'intervalle des éclats (le dernier chiffre clignote dans chaque cas) des programmes 02 à 12, appuyez sur ENTER (plusieurs fois si nécessaire). Modifiez la valeur à l'aide des boutons UP (haut) ou DOWN (bas).

Pour modifier la vitesse, l'intervalle des éclats, la couleur 1 (C1) et la couleur 2 (C2) (le dernier chiffre clignote dans chaque cas) des programmes 13 et 14, appuyez sur ENTER (plusieurs fois si nécessaire). Modifiez la valeur à l'aide des boutons UP (haut) ou DOWN (bas).

PROGRAMME	MODE	FONCTION
P01	STATIC COLOUR	Extinction (Blackout) 7 couleurs Intervalle des éclats réglable
P02	DREAM	Mode onirique à 7 couleurs Vitesse et intervalle des éclats réglables
P03	METEOR	Mode fluide à 7 couleurs Vitesse et intervalle des éclats réglables
P04	FADE	Mode fondu à 7 couleurs Vitesse et intervalle des éclats réglables
P05	CHANGE	Mode changeant à 7 couleurs Vitesse et intervalle des éclats réglables
P06	FLOW 1	Chenillard à 7 couleurs dans 1 sens Vitesse et intervalle des éclats réglables
P07	FLOW 2	Chenillard à 7 couleurs dans 2 sens Vitesse et intervalle des éclats réglables



INSTRUCTIONS D'UTILISATION :

ENGLISH

DEUTSCH

FRANCAIS

ESPAÑOL

POLSKI

ITALIANO

P08	FLOW 3	Chenillard enchaîné à 7 couleurs dans 1 sens Vitesse et intervalle des éclats réglables
P09	FLOW 4	Chenillard enchaîné à 7 couleurs dans 2 sens Vitesse et intervalle des éclats réglables
P10	FLOW 5	Chenillard à 7 couleurs depuis les extrémités vers le centre Vitesse et intervalle des éclats réglables
P11	FLOW 6	7 couleurs depuis le centre vers les deux extrémités Vitesse et intervalle des éclats réglables
P12	FLOW 7	Mode chenillard à 7 couleurs Vitesse et intervalle des éclats réglables
P13	FLOW 8	Chenillard à 2 couleurs dans 1 sens Vitesse et intervalle des éclats réglables Extinction et 7 couleurs
P14	FLOW 9	Chenillard à 2 couleurs dans 2 sens Vitesse et intervalle des éclats réglables Extinction et 7 couleurs

MODE AUTOMATIQUE

Les programmes 02 à 14 s'exécutent successivement. La fréquence est réglable de 01 à 99 (FQN:01 - 99).

MODE ESCLAVE

L'appareil qui est en mode Esclave suit l'appareil qui est en mode Maître (dans tous les autres modes, sauf le mode DMX et le mode Esclave). Raccordez l'appareil Maître et l'appareil Esclave au moyen d'un câble DMX.

MODE COMMANDÉ PAR LE SON

Dans ce mode, l'appareil suit le rythme de la musique grâce au micro intégré. Réglez la sensibilité du micro en modifiant la valeur (SENS:00 - 31). La fréquence d'alternance des programmes est réglable de 01 à 99 (FQN:01 - 99).



INSTRUCTIONS D'UTILISATION :

MODE DMX

6 CH : L'appareil fonctionne comme 1 section

9 CH : L'appareil est divisé en 2 sections qui peuvent être commandées séparément (2 x 2 lampes, CH4 - CH9).

15 CH : L'appareil est divisé en 4 sections qui peuvent être commandées séparément (4 lampes, CH4 - CH15).

CONFIGURATION POUR 6 CH

CH1	CH2	CH3	CH4	CH5	CH6
0-10	blackout	blackout	blackout	blackout	blackout
11-21	Master dimmer(0-255)	Flash (0-255)	Red (0-255)	Green (0-255)	Blue (0-255)
22-32 Red		Flash (0-255)			
33-43 Yellow		Flash (0-255)			
44-54 Green		Flash (0-255)			
55-65 Cyan		Flash (0-255)			
66-76 Blue		Flash (0-255)			
77-87 Purple		Flash (0-255)			
88-98 White		Flash (0-255)			
99-109 Dream	Speed (0-255)	Flash (0-255)			
110-120 Meteor	Speed (0-255)	Flash (0-255)			
121-131 Fade	Speed (0-255)	Flash (0-255)			
132-142 Change	Speed (0-255)	Flash (0-255)			
143-153 Flow 1	Speed (0-255)	Flash (0-255)			
154-164 Flow 2	Speed (0-255)	Flash (0-255)			
165-175 Flow 3	Speed (0-255)	Flash (0-255)			
176-186 Flow 4	Speed (0-255)	Flash (0-255)			
187-197 Flow 5	Speed (0-255)	Flash (0-255)			
198-208 Flow 6	Speed (0-255)	Flash (0-255)			

ENGLISH

DEUTSCH

FRANCAIS

ESPAÑOL

POLSKI

ITALIANO



INSTRUCTIONS D'UTILISATION :

ENGLISH

DEUTSCH

FRANCAIS

ESPAÑOL

POLSKI

ITALIANO

209-219 Flow 7	Speed (0-255)	Flash (0-255)			
220-230 Flow 8	Speed (0-255)	Flash (0-255)	Colourselect		
231-241 Flow 9	Speed (0-255)	Flash (0-255)	Colourselect		
242-255 Sound control	Speed (0-255)	Flash (0-255)			

CONFIGURATION POUR 9 CH

CH1	CH2	CH3	CH4	CH5	CH6	CH7	CH8	CH9
11-21	Master dimmer (0-255)	Flash (0-255)	R1	G1	B1	R2	G2	B2

À partir de la valeur 21, CH 1 a les mêmes fonctions que le mode CH 6.

CONFIGURATION POUR 15 CH

CH1	CH2	CH3	CH4	CH5	CH6	CH7	CH8
11-21	Master dimmer (0-255)	Flash (0-255)	R1	G1	B1	R2	G2

CH9	CH10	CH11	CH12	CH13	CH14	CH15
B2	R3	G3	B3	R4	G4	B4

À partir de la valeur 21, CH 1 a les mêmes fonctions que le mode CH 6.



COUPLAGE **DMX** :

DMX-512

DMX (Digital Multiplex) is a universal protocol used as a form of communication between intelligent fixtures and controllers. A DMX controller sends DMX data instructions from the controller to the fixture. DMX data are sent as serial data that travel from fixture to fixture via the “DATA IN” and “DATA OUT” XLR terminals located on all DMX fixtures (most controllers only have a “DATA OUT” terminal).

DMX LINKING:

DMX is a language allowing all makes and models of different manufactures to be linked together and operate from a single controller, as long as all fixtures and the controller are DMX compliant. To ensure proper DMX data transmission, when using several DMX fixtures try to use the shortest cable path possible. The order in which fixtures are connected in a DMX line does not influence the DMX addressing. For example a fixture assigned to a DMX address of 1 may be placed anywhere in a DMX line, at the beginning, at the end, or anywhere in the middle. When a fixture is assigned a DMX address of 1, the DMX controller knows to send DATA assigned to address 1 to that unit, no matter where it is located in the DMX chain.



Please check out our comprehensive DMX cable choices out of our Adam Hall product lines 3 STAR, 4 STAR and 5 STAR

Also remember that DMX cable must be daisy chained and cannot be split.



CÂBLES DMX :

ENGLISH

DEUTSCH

FRANCAIS

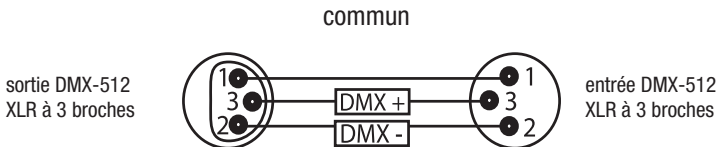
ESPAÑOL

POLSKI

ITALIANO

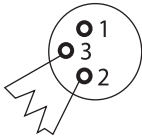
ATTENTION :

- Si vous confectionnez vos câbles vous-même, conformez-vous aux Figures 2 et 3. Ne raccordez pas le blindage du câble à la cosse de masse, et ne laissez pas le blindage entrer en contact avec l'enceinte extérieure du connecteur XLR. La mise du blindage à la masse peut provoquer un court-circuit ou un comportement erratique.



REMARQUE SPÉCIALE : TERMINAISON DE LA LIGNE :

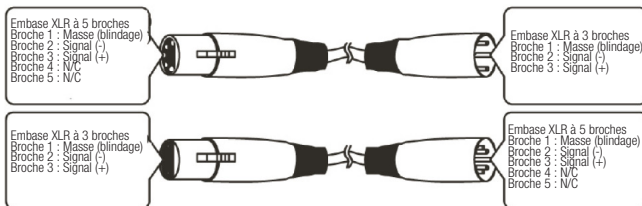
- Si vous tirez de grandes longueurs de câbles, il convient de brancher un terminateur sur le dernier appareil de la chaîne, afin d'éviter un comportement erratique.



Le terminateur réduit les problèmes de transmission du signal et les interférences. Il est recommandé de toujours brancher un terminateur DMX (résistance de 120 ohms, 1/4 W) entre la broche 2 (DMX-) et la broche 3 (DMX+) du dernier appareil de la chaîne.

L'utilisation d'un terminateur de câble (référence K3DMXT3) permet d'éviter ce problème.

- Certains fabricants utilisent, pour la transmission des données, des connecteurs XLR à 5 broches au lieu des connecteurs XLR à 3 broches. Les appareils équipés de prises XLR à 5 broches peuvent être raccordés dans une ligne DMX à XLR à 3 broches. Pour insérer des appareils équipés de connecteurs XLR à 5 broches dans une ligne utilisant des XLR à 3 broches, il faut utiliser des câbles adaptateurs. Le schéma ci-dessous indique le brochage d'un tel câble de conversion :





CARACTÉRISTIQUES:

POIDS ET DIMENSIONS DU CLMPAR1

Longueur	1030 mm
Largeur	100 mm
Hauteur	290 mm
Poids	5,0 kg
Angle du faisceau lumineux	25°

ALIMENTATION

Consommation	50 W max.
Alimentation secteur	100 V AC - 250 V AC/60 Hz

FUSIBLE

Secteur	F0.5A
---------	-------

COMMANDE ET PROGRAMMATION

Raccordement DMX	Entrée : prise mâle XLR à 3 broches avec loquet ; sortie : femelle XLR à 3 broches
Protocoles	DMX-512 USITT
Canaux DMX	6, 9 ou 15 au choix
Prise pour pédalier	5 broches

POIDS ET DIMENSIONS DU CLMPAR2

Longueur	1030 mm
Largeur	100 mm
Hauteur	290 mm
Poids	7,0 kg
Angle du faisceau lumineux	25°

ALIMENTATION

Consommation	100 W max.
Alimentation secteur	100 V AC - 250 V AC/60 Hz

FUSIBLE

Secteur	F2A
---------	-----

COMMANDE ET PROGRAMMATION

Raccordement DMX	Entrée : prise mâle XLR à 3 broches avec loquet ; sortie : femelle XLR à 3 broches
Protocoles	DMX-512 USITT
Canaux DMX	6, 9 ou 15 au choix
Prise pour pédalier	5 broches

ENGLISH

DEUTSCH

FRANCAIS

ESPAÑOL

POLSKI

ITALIANO



DECLARATIONS DU FABRICANT:

GARANTIE LIMITÉE:

Cette garantie limitée s'applique aux produits de la marque Adam Hall, LD Systems, LD Premium, Defender, Palmer, Cameo et Eminence.

Les droits inhérents à la garantie légale vis-à-vis du revendeur ne sont pas affectés par cette garantie. En fait elle justifie d'une garantie supplémentaire indépendante auprès de la société Adam Hall.

La société Adam Hall garantit que le produit que vous avez acheté Adam Hall ou à l'un de ses revendeurs officiels, est exempt de défaut matériel et d'usinage pour une durée de 2 ans (ou 5 ans pour les produits Palmer) à partir de la date d'achat, lorsqu'il est utilisé dans des conditions normales.

La période de garantie limitée débute le jour de l'achat du produit. Pour bénéficier de cette garantie vous devez produire une preuve d'achat sur laquelle figure la date d'achat du produit (ex : ticket de caisse daté, bon de livraison daté...). Si un produit d'une des marques citées ci-dessus venait à nécessiter une réparation durant la période de garantie limitée, vous aurez alors le droit de bénéficier des services de la garantie selon les termes et conditions mentionnés par ce document.

Cette garantie limitée ne s'applique qu'à l'acheteur initial de ce produit Adam Hall et ne peut être en aucun cas transférée à un tiers devenu propriétaire du produit. Durant la période de garantie limitée, Adam Hall s'engage à réparer ou remplacer les pièces défectueuses du produit. Toutes les pièces ou éléments démontés lors d'une réparation par Adam Hall deviennent la propriété d'Adam Hall.

Dans le cas improbable d'un défaut récurrent, Adam Hall peut, à sa discrétion, décider de vous fournir un produit de remplacement de son choix, dont les capacités techniques sont au moins équivalentes à celles de votre produit initial.

Adam Hall ne garantit pas que le fonctionnement de ce produit sera exempt d'erreur ou ininterrompu. Adam Hall ne peut pas être rendu responsable des dégâts résultant de votre manquement à suivre les instructions d'utilisation fournies avec votre produit.

Cette garantie limitée ne s'applique pas,

- aux pièces d'usure (ex: piles)
- aux produits dont le numéro de série a été effacé ou aux produits endommagés ou rendus défectueux par accident
- dans le cas d'une utilisation non conforme aux conditions normales d'utilisation, dans le cas d'abus ou toute autre cause externe
- dans le cas d'un usage du produit en dehors des paramètres d'utilisation stipulés dans la documentation fournie avec le produit
- dans le cas de l'usage de pièces de remplacement n'étant pas fabriquées ou vendues par Adam Hall
- dans le cas d'une modification du produit ou d'une réparation par quiconque autre qu'Adam Hall

Ces termes et conditions constituent l'accord de garantie complet et exclusif entre vous et Adam Hall concernant le produit de la marque Adam Hall que vous vous êtes procuré.

ENGLISH

DEUTSCH

FRANCAIS

ESPAÑOL

POLSKI

ITALIANO



DECLARATIONS DU FABRICANT:

LIMITATION OF LIABILITY

Si votre produit Adam Hall devait ne pas fonctionner correctement, votre seul et unique dédommagement sera la réparation du produit ou son remplacement. La responsabilité maximale imputable à Adam Hall dans le cadre de cette garantie limitée se limite au montant le plus bas. Ce montant découle du prix d'achat du produit ou bien du coût de la réparation ou des pièces de remplacement qui sont tombés en panne dans des conditions d'utilisation normales.

Adam Hall n'est pas responsable des dommages causés par le produit ou par un dysfonctionnement du produit, y compris les pertes de profits, les pertes d'épargne, et les conséquences inhérentes à ces dommages. La responsabilité d'Adam Hall ne peut pas être engagée dans le cas d'une réclamation par un tiers ou dans le cas d'une réclamation émanant de l'acheteur initial pour le compte d'un tiers.

Cette limitation de responsabilité est valable indépendamment du fait que les dommages commis fassent l'objet de poursuites judiciaires, qu'ils fassent l'objet de réclamation (y compris pour négligence), de réclamations contractuelles ou tout autre réclamation. Cette limitation de responsabilité ne peut être amendée ou dérogée par quiconque. Elle est effective même si vous aviez avisé Adam Hall ou l'un de ses représentants officiels de la possibilité d'un tel dommage. Toutefois cette limitation de responsabilité est sans effet dans le cas de réclamations pour dommages corporels.

Cette garantie limitée vous confère des droits légaux spécifiques. Selon votre pays, ou l'État dans lequel vous trouvez, il est possible que vous disposiez d'autres droits. Veuillez consulter les lois applicables dans votre pays ou votre État pour déterminer l'ensemble de vos droits.

FAIRE FONCTIONNER LA GARANTIE

Pour faire fonctionner la garantie sur ce produit, veuillez contacter Adam Hall ou le revendeur agréé auquel vous avez acheté le produit.

DECLARATION DE CONFORMITE CE

Ces appareils répondent aux exigences essentielles et aux autres dispositions pertinentes des directives 2004/108/CE (EMC) et 2006/95/EC (LVD). Pour plus d'informations, consultez www.adamhall.com.

ELIMINATION CORRECTE DES DÉCHETS (DÉCHETS ÉLECTROMÉNAGERS)

(Applicable dans l'Union Européenne et dans les autres pays européens disposant d'un système de tri des déchets)



Ce signe figurant sur le produit, ou dans la brochure jointe au produit, indique qu'il ne doit pas être jeté dans le même bac à ordures que les déchets ménagers classiques lorsqu'il arrive en fin de vie. Pour écarter les risques de pollution de l'environnement ou les risques d'intoxication humaine dûs à un mauvais traitement des déchets, veuillez séparer ce produit des autres types de déchets. Il sera ainsi inséré dans la boucle du recyclage et ces composants pourront être traités puis éventuellement réutilisés.

Nous recommandons aux particuliers de contacter leur revendeur local ou les autorités locales pour s'informer de la meilleure façon de traiter les déchets électroménagers.

Les professionnels doivent contacter leur fournisseur et examiner avec lui les termes et conditions de leur contrat d'achat. Ce produit ne doit pas être mélangé aux déchets industriels.



DECLARATIONS DU FABRICANT:

DECLARATION WEEE



Votre produit LD-Systems a été développé et fabriqué avec des matériaux et des composants de haute qualité, qui peuvent être recyclés et/ou réutilisés. Ce symbole indique que les appareils électriques et électroniques, à la fin de leur durée de vie opérationnelle, doivent être gérés séparément des déchets ordinaires.

Veuillez apporter ce produit au point de collecte ou centre de recyclage local prévu pour de tels appareils. Vous contribuerez ainsi à la protection de l'environnement dans lequel nous vivons tous.

BATTERIES ET ACCUMULATEURS



Les piles ou batteries rechargeable livrées avec l'appareil sont recyclables. Veuillez les jeter dans un bac à déchets spécial, ou déposez-les chez votre revendeur spécialisé. Pour une meilleure protection de l'environnement, ne jetez les piles que lorsqu'elles sont épuisées.

ENGLISH

DEUTSCH

FRANCAIS

ESPAÑOL

POLSKI

ITALIANO

Adam Hall GmbH, tous droits réservés. Les caractéristiques techniques et les fonctions disponibles sur le produit sont sujettes à modifications. La photocopie, la traduction et toute forme de copie, partielle ou intégrale, de ce manuel utilisateur sont interdites.



NOTES :

ENGLISH

DEUTSCH

FRANCAIS

ESPAÑOL

POLSKI

ITALIANO



NOTES :

ENGLISH

DEUTSCH

FRANCAIS

ESPAÑOL

POLSKI

ITALIANO



ENGLISH

DEUTSCH

FRANÇAIS

ESPAÑOL

POLSKI

ITALIANO

¡Gracias por elegir Cameo Light!

Este producto se ha diseñado para ofrecer una fiabilidad y durabilidad óptimas.

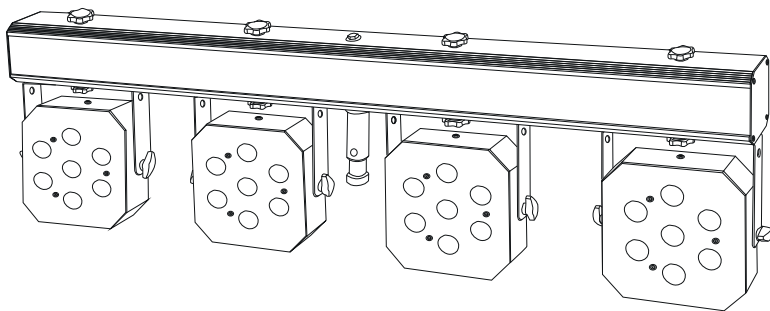
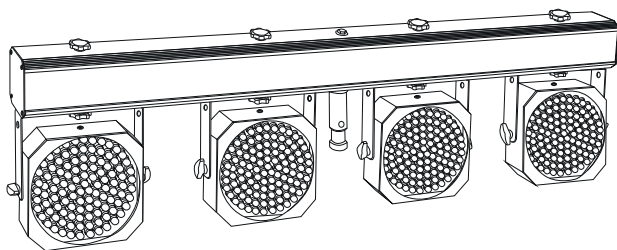
Le rogamos que lea atentamente estas instrucciones para familiarizarse rápidamente con este producto Cameo Light y aprovechar al máximo todas las funciones.

Si desea obtener más información sobre Cameo Light, visite nuestro sitio web WWW.CAMEOLIGHT.COM



LED MULTI PAR

SET DE PROYECTORES LED CLMPAR1/CLMPAR2



ENGLISH

DEUTSCH

FRANCAIS

ESPAÑOL

POLSKI

ITALIANO



MEDIDAS DE SEGURIDAD:

- Evite que el cable eléctrico esté en contacto con otros cables. ¡Extreme las precauciones al manipular el cable eléctrico y todas las conexiones con tensión!
 - No retire las etiquetas de advertencia o informativas adheridas al equipo.
 - No abra el equipo ni intente modificarlo.
 - No conecte el equipo a reguladores tipo dimmer.
 - No encienda y apague el equipo en cortos intervalos de tiempo, ya que se reduce así la vida útil del sistema.
 - Utilice este equipo exclusivamente en interiores.
 - No lo exponga a fuentes, líquidos o gases inflamables.
 - Desconecte el equipo de la toma de corriente cuando no esté en uso o antes de limpiarlo. Para desenchufar el cable eléctrico, sujételo por el enchufe. No tire nunca del cable eléctrico para desenchufarlo.
 - Asegúrese de que el suministro eléctrico es de 100 V AC - 250 V AC.
 - Procure que el cable eléctrico no quede pinzado o se dañe. Revise el equipo y el cable eléctrico periódicamente.
 - Si el equipo se cae o se daña, desconéctelo inmediatamente del suministro eléctrico.
- Antes de volver a utilizar el equipo, haga que lo inspeccione un técnico cualificado.
- Si el equipo ha estado expuesto a un cambio brusco de temperatura (por ejemplo, después del transporte), no lo encienda inmediatamente. La condensación que se produce podría dañar el equipo. Deje el equipo apagado hasta que haya alcanzado la temperatura ambiente.
 - Si el equipo no funciona correctamente, deje de utilizarlo. Envuelva el equipo perfectamente protegido dentro de una caja (utilice preferentemente el embalaje original) y devuélvalo a su distribuidor Cameo para su reparación.
 - Utilice únicamente fusibles del mismo tipo y características.
 - Las tareas de reparación, mantenimiento y conexión eléctrica deberán ser realizadas únicamente por personal técnico cualificado. **ESTE EQUIPO NO CONTIENE PIEZAS QUE EL USUARIO PUEDA REPARAR.**
 - No utilice accesorios o modificaciones no autorizadas por el fabricante del equipo.
 - Instale el equipo en un lugar no expuesto a vibraciones y que disponga de un punto estable de montaje. En caso de montaje suspendido, siga las normas adecuadas para volado y los reglamentos de seguridad aplicables en su país.
 - Antes de conectar el cable eléctrico a la toma de corriente, compruebe si la tensión y la frecuencia del suministro eléctrico coinciden con las especificaciones de este producto. En caso de que no coincidan, llame a su distribuidor inmediatamente.
 - Si se derrama líquido o caen piezas pequeñas dentro del equipo, apáguelo inmediatamente y llévelo a un servicio técnico autorizado para su revisión.
 - En caso de tormenta eléctrica, tire del enchufe (no del cable) de la toma eléctrica de pared o del equipo para desconectarlo y evitar cualquier daño debido a los picos de tensión.
 - En caso de que el equipo no funcione correctamente, o que esté dañado el cable eléctrico o cualquier otra pieza, desenchufe inmediatamente el equipo y llévelo a un servicio técnico autorizado para su reparación.
 - Para mantener la funcionalidad y cumplir con todos los aspectos de seguridad de este equipo, todas las piezas defectuosas deberán sustituirse por recambios originales. Por lo tanto, asegúrese de que su distribuidor o servicio técnico esté autorizado por el fabricante.

ENGLISH

DEUTSCH

FRANÇAIS

ESPAÑOL

POLSKI

ITALIANO



SEGURIDAD:

ENGLISH

DEUTSCH

FRANCAIS

ESPAÑOL

POLSKI

ITALIANO

CONDICIONES DE FUNCIONAMIENTO

La utilización de este equipo de manera diferente a la que se describe en este manual podría causar daños en el producto y anular la garantía.

De hecho, un funcionamiento incorrecto puede provocar cortocircuitos, quemaduras, descargas eléctricas, fallo del foco, etc.

¡No ponga en peligro su propia seguridad y la de los demás!

La instalación o utilización incorrecta del equipo puede ocasionar graves daños personales y materiales.

¡ADVERTENCIA!

- 1. No mire al haz de luz a una distancia inferior a 40 cm.**
- 2. No mire directamente al haz durante períodos prolongados a corta distancia.**
- 3. No mire directamente al haz utilizando instrumentos ópticos como, por ejemplo, una lupa.**



ADVERTENCIA:

Para evitar el riesgo de descarga eléctrica, no retire la tapa (o el panel posterior). Este equipo no contiene piezas que puedan ser reparadas por el usuario. Para cualquier tarea de mantenimiento o reparación, acuda a un técnico cualificado.



El símbolo de rayo dentro de un triángulo equilátero advierte al usuario de la presencia de tensión peligrosa sin aislamiento dentro de la carcasa del producto que pueden ser de magnitud suficiente como para suponer un riesgo para las personas.



El símbolo de exclamación dentro de un triángulo equilátero advierte al usuario de la existencia de importantes instrucciones de funcionamiento y mantenimiento (reparaciones) en la documentación adjunta con el equipo.



INTRODUCCIÓN:

CARACTERÍSTICAS

LED MULTI PAR

(CLMPAR1)

- 432 (4 x 108) LEDs RGB ultrabrillantes de 10 mm
- Ángulo de proyección de 25 grados
- Funda de transporte incluida
- Entrada para pedalera de control (pedalera opcional CLMPARFOOT)
- Protocolo DMX-512
- Selección de modo DMX 6, 9 o 15 canales
- Modo Maestro/Esclavo
- Modo Autónomo
- Panel de control de 4 botones
- 14 programas integrados
- Sólida carcasa metálica
- Pantalla LCD iluminada
- Montaje sobre trípode mediante adaptador de mástil de 28 mm

CARACTERÍSTICAS

LED MULTI PAR

(CLMPAR2)

- 28 (4 x 7) LEDs ultrabrillantes tricolor de 3 W
- Ángulo de proyección de 25 grados
- Funda de transporte incluida
- Entrada para pedalera de control (pedalera opcional CLMPARFOOT)
- Protocolo DMX-512
- Selección de modo DMX 6, 9 o 15 canales
- Modo Maestro/Esclavo
- Modo Autónomo
- Panel de control de 4 botones
- 14 programas integrados
- Sólida carcasa metálica
- Pantalla LCD iluminada
- Montaje sobre trípode mediante adaptador de mástil de 28 mm

Presentamos la robusta serie de proyectores **LED MULTI PAR** de CAMEO LIGHT, cuyo práctico diseño permite instalarlos en apenas 2 minutos.

ENGLISH

DEUTSCH

FRANÇAIS

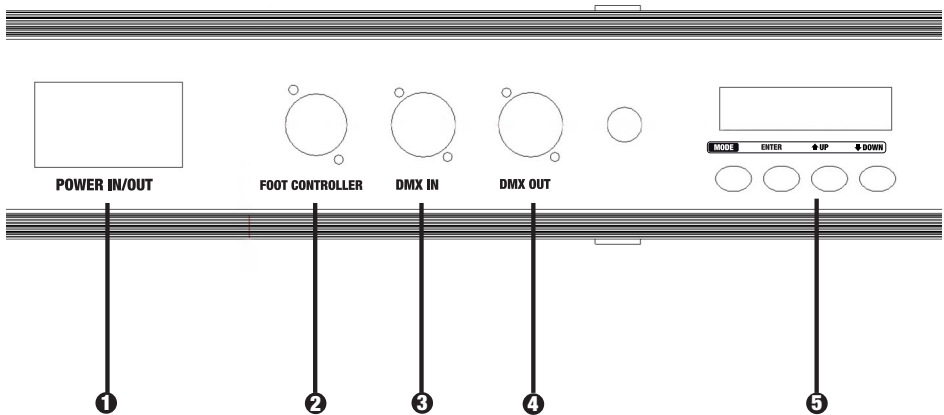
ESPAÑOL

POLSKI

ITALIANO



PANEL POSTERIOR:



- ❶ CONECTORES DE ALIMENTACIÓN ELÉCTRICA (POWER IN/OUT)
- ❷ ENTRADA PARA PEDALERA DE CONTROL (FOOT CONTROLLER)
- ❸ ENTRADA DMX (DMX IN)
- ❹ SALIDA DMX (DMX OUT)
- ❺ BOTONES DE MENÚ Y PANTALLA

ENGLISH

DEUTSCH

FRANCAIS

ESPAÑOL

POLSKI

ITALIANO



INSTRUCCIONES DE USO:

PROGRAMAS INCORPORADOS

Se puede seleccionar entre los 14 programas incorporados (del 01 al 14). En los programas STATIC, FLOW 8 y FLOW 9 (01, 13 y 14) se puede seleccionar el efecto de oscurecimiento Blackout (COL:BLA) o los 7 colores: Red (rojo), Yellow (amarillo), Green (verde), Cyan (cian), Blue (azul), Purple (violeta) y White (blanco).

El intervalo de destello se puede ajustar de 0 A 99 (Flash00-99).

En los programas 2 a 14 (02-14) se puede ajustar la velocidad (Speed 00-99) de cada modo, así como el intervalo de destello de los 7 colores.

Para seleccionar los distintos modos (programas 01 a 14, AUTO RUN, DMX MODE, SLAVE MODE y SOUND MODE) pulse el botón MODE (repetidamente si es necesario).

Para seleccionar un programa, seleccione el modo de programa y pulse el botón ENTER una vez (el número del programa parpadeará).

Seleccione el programa mediante los botones UP (arriba) y DOWN (abajo). Para cambiar el color y el intervalo de destello del programa 01, pulse el botón ENTER repetidamente si es necesario (el último dígito parpadeará).

Cambie el valor mediante los botones UP y DOWN.

Para cambiar la velocidad y el intervalo de destello de los programas 02 a 12, pulse el botón ENTER repetidamente si es necesario (el último dígito parpadeará). Cambie el valor mediante los botones UP y DOWN.

Para cambiar la velocidad, el intervalo de destello, el color 1 (C1) y el color 2 (C2) de los programas 13 y 14, pulse el botón ENTER repetidamente si es necesario (el último dígito parpadeará). Cambie el valor mediante los botones UP y DOWN.

PROGRAMA	MODO	FUNCIÓN
P01	STATIC COLOUR	Blackout (oscurecimiento) 7 colores Intervalo de destello ajustable
P02	DREAM	Modo Dream (onírico) de 7 colores Velocidad e intervalo de destello ajustables
P03	METEOR	Modo Estela de 7 colores Velocidad e intervalo de destello ajustables
P04	FADE	Modo Atenuación de 7 colores Velocidad e intervalo de destello ajustables
P05	CHANGE	Modo Cambio de 7 colores Velocidad e intervalo de destello ajustables
P06	FLOW 1	Persecución (chase) de 7 colores, en 1 dirección Velocidad e intervalo de destello ajustables
P07	FLOW 2	Persecución (chase) de 7 colores, en 2 direcciones Velocidad e intervalo de destello ajustables
P08	FLOW 3	Persecución (chase) de 7 colores, encadenados en 1 dirección Velocidad e intervalo de destello ajustables



INSTRUCCIONES DE USO:

P09	FLOW 4	Persecución (chase) de 7 colores, encadenados en 2 direcciones Velocidad e intervalo de destello ajustables
P10	FLOW 5	Persecución (chase) de 7 colores, desde los laterales al centro Velocidad e intervalo de destello ajustables
P11	FLOW 6	7 colores, desde el centro hacia los laterales Velocidad e intervalo de destello ajustables
P12	FLOW 7	Persecución (chase) de 7 colores Velocidad e intervalo de destello ajustables
P13	FLOW 8	Persecución (chase) de 2 colores, en 1 dirección Velocidad e intervalo de destello ajustables Blackout (oscurecimiento) y 7 colores
P14	FLOW 9	Persecución (chase) de 2 colores, en 2 direcciones Velocidad e intervalo de destello ajustables Blackout (oscurecimiento) y 7 colores

MODO AUTOMÁTICO

Los programas 02 a 14 se activarán secuencialmente. La frecuencia de cambio se puede ajustar de 01 a 99 (FQN:01 - 99).

MODO ESCLAVO

El equipo en modo Esclavo seguirá al equipo en modo Maestro (excepto en los modos DMX y Esclavo). Conecte el equipo maestro al esclavo mediante el cable DMX.

MODO ACTIVACIÓN POR SONIDO

En este modo, el equipo seguirá el ritmo de la música por medio del micrófono incorporado. Se puede ajustar la sensibilidad del micrófono (SENS:00 - 31). La frecuencia de cambio entre programas se puede ajustar de 01 a 99 (FQN:01 - 99).

ENGLISH

DEUTSCH

FRANCAIS

ESPAÑOL

POLSKI

ITALIANO



INSTRUCCIONES DE USO:

MODO DMX

6 canales: El equipo funciona con una sección.

9 canales: El equipo funciona con dos secciones que se pueden activar por separado (2 x dos lámparas, CH4 a CH9).

15 canales: El equipo funciona con cuatro secciones que se pueden activar por separado (cuatro lámparas, CH4 a CH15).

CONFIGURACIÓN PARA 6 CANALES

CH1	CH2	CH3	CH4	CH5	CH6
0-10	blackout	blackout	blackout	blackout	blackout
11-21	Master dimmer(0-255)	Flash (0-255)	Red (0-255)	Green (0-255)	Blue (0-255)
22-32 Red		Flash (0-255)			
33-43 Yellow		Flash (0-255)			
44-54 Green		Flash (0-255)			
55-65 Cyan		Flash (0-255)			
66-76 Blue		Flash (0-255)			
77-87 Purple		Flash (0-255)			
88-98 White		Flash (0-255)			
99-109 Dream	Speed (0-255)	Flash (0-255)			
110-120 Meteor	Speed (0-255)	Flash (0-255)			
121-131 Fade	Speed (0-255)	Flash (0-255)			
132-142 Change	Speed (0-255)	Flash (0-255)			
143-153 Flow 1	Speed (0-255)	Flash (0-255)			
154-164 Flow 2	Speed (0-255)	Flash (0-255)			
165-175 Flow 3	Speed (0-255)	Flash (0-255)			
176-186 Flow 4	Speed (0-255)	Flash (0-255)			
187-197 Flow 5	Speed (0-255)	Flash (0-255)			

ENGLISH

DEUTSCH

FRANÇAIS

ESPAÑOL

POLSKI

ITALIANO



INSTRUCCIONES DE USO:

ENGLISH

DEUTSCH

FRANCAIS

ESPAÑOL

POLSKI

ITALIANO

198-208 Flow 6	Speed (0-255)	Flash (0-255)			
209-219 Flow 7	Speed (0-255)	Flash (0-255)			
220-230 Flow 8	Speed (0-255)	Flash (0-255)	Colourselect		
231-241 Flow 9	Speed (0-255)	Flash (0-255)	Colourselect		
242-255 Sound control	Speed (0-255)	Flash (0-255)			

CONFIGURACIÓN PARA 9 CANALES

CH1	CH2	CH3	CH4	CH5	CH6	CH7	CH8	CH9
11-21	Master dimmer (0-255)	Flash (0-255)	R1	G1	B1	R2	G2	B2

A partir del valor 21, el canal 1 tiene las mismas funciones que el modo de 6 canales.

CONFIGURACIÓN PARA 15 CANALES

CH1	CH2	CH3	CH4	CH5	CH6	CH7	CH8
11-21	Master dimmer (0-255)	Flash (0-255)	R1	G1	B1	R2	G2

CH9	CH10	CH11	CH12	CH13	CH14	CH15
B2	R3	G3	B3	R4	G4	B4

A partir del valor 21, el canal 1 tiene las mismas funciones que el modo de 6 canales.



CONEXIÓN **DMX:**

DMX-512

DMX (Digital Multiplex) is a universal protocol used as a form of communication between intelligent fixtures and controllers. A DMX controller sends DMX data instructions from the controller to the fixture. DMX data are sent as serial data that travel from fixture to fixture via the “DATA IN” and “DATA OUT” XLR terminals located on all DMX fixtures (most controllers only have a “DATA OUT” terminal).

DMX LINKING:

DMX is a language allowing all makes and models of different manufactures to be linked together and operate from a single controller, as long as all fixtures and the controller are DMX compliant. To ensure proper DMX data transmission, when using several DMX fixtures try to use the shortest cable path possible. The order in which fixtures are connected in a DMX line does not influence the DMX addressing. For example a fixture assigned to a DMX address of 1 may be placed anywhere in a DMX line, at the beginning, at the end, or anywhere in the middle. When a fixture is assigned a DMX address of 1, the DMX controller knows to send DATA assigned to address 1 to that unit, no matter where it is located in the DMX chain.



Please check out our comprehensive DMX cable choices out of our Adam Hall product lines 3 STAR, 4 STAR and 5 STAR

Also remember that DMX cable must be daisy chained and cannot be split.



CABLES DMX:

ENGLISH

DEUTSCH

FRANCAIS

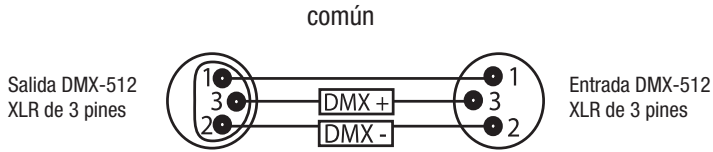
ESPAÑOL

POLSKI

ITALIANO

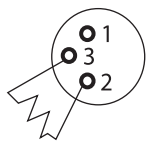
NOTA:

- Siga las instrucciones de las figuras 2 y 3 cuando fabrique sus propios cables. No conecte la malla del cable a la toma de tierra ni permita que la malla entre en contacto con la carcasa externa del XLR. La puesta a tierra de la malla puede causar un cortocircuito y un funcionamiento inestable del equipo.



NOTA ESPECIAL: TERMINACIÓN DE LÍNEA:

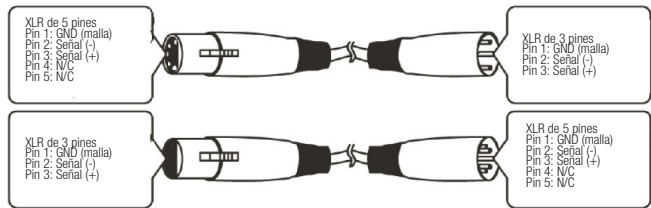
- En largas tiradas de cable, es posible que tenga que utilizar un terminador en el último equipo para evitar un funcionamiento inestable.



La terminación reduce los problemas de transmisión de la señal y las interferencias. Se recomienda conectar un terminador DMX, (resistencia de 120 ohmios y 1/4 W) entre el pin 2 (DMX-) y el pin 3 (DMX+) del último equipo.

El uso de un terminador de cable (Art. n.º K3DMXT3) reduce las posibilidades de un funcionamiento inestable.

- Algunos fabricantes utilizan conectores XLR de 5 pines para la transmisión de datos en lugar de 3 pines. Se pueden instalar equipos con conectores XLR de 5 pines en una cadena DMX con conectores XLR de 3 pines. Al insertar un conector XLR estándar de 5 pines en una cadena de 3 pines, deberá utilizarse un adaptador. En la siguiente figura se indican las conversiones de cable apropiadas.





CARACTERÍSTICAS TÉCNICAS:

PESO Y DIMENSIONES DEL CLMPAR1

Longitud	1.030 mm
Ancho	100 mm
Altura	290 mm
Peso	5,0 kg
Ángulo de proyección	25°

ALIMENTACIÓN ELÉCTRICA

Consumo	máx. 50 W
Tensión de alterna	100 V AC - 250 V AC/60 Hz

FUSIBLE

Tipo	F0.5A
------	-------

CONTROL Y PROGRAMACIÓN

Conexión DMX	Conector de entrada XLR macho de 3 pines con bloqueo, salida XLR hembra de 3 pines
Protocolos	DMX-512 USITT
Canales DMX	6, 9 o 15 canales
Conector de pedalera de control	5 pines

PESO Y DIMENSIONES DEL CLMPAR2

Longitud	1.030 mm
Ancho	100 mm
Altura	290 mm
Peso	7,0 kg
Ángulo de proyección	25°

ALIMENTACIÓN ELÉCTRICA

Consumo	máx. 100 W
Tensión de alterna	100 V AC - 250 V AC/60 Hz

FUSIBLE

Tipo	F2A
------	-----

CONTROL Y PROGRAMACIÓN

Conexión DMX	Conector de entrada XLR macho de 3 pines con bloqueo, salida XLR hembra de 3 pines
Protocolos	DMX-512 USITT
Canales DMX	6, 9 o 15 canales
Conector de pedalera de control	5 pines

ENGLISH

DEUTSCH

FRANÇAIS

ESPAÑOL

POLSKI

ITALIANO



DECLARACIÓN DEL FABRICANTE:

GARANTÍA LIMITADA

Esta garantía limitada se aplica a los productos de la marca Adam Hall, LD Systems, LD Premium, Defender, Palmer, Cameo y Eminence.

No afecta a los derechos de garantía legal que asume el vendedor. De hecho, le concede al usuario derechos adicionales ante Adam Hall, independientes de la garantía legal.

Adam Hall garantiza que el producto que ha adquirido de Adam Hall o de cualquier distribuidor autorizado de Adam Hall estará exento de defectos de material y mano de obra, en condiciones normales de uso, durante un período de 2 o 5 años a partir de la fecha de compra.

La garantía limitada entra en vigor el día de la fecha de compra. Para tener derecho a esta garantía será necesario presentar un justificante de compra válido en el que figure la fecha de compra del producto, por ejemplo, la factura o el albarán de entrega. Si el producto que ha adquirido necesitara una reparación durante la vigencia de la garantía limitada, tendrá derecho a obtener los servicios de garantía conforme a los términos y condiciones establecidos en este documento.

Esta garantía limitada se aplica únicamente al comprador original de este producto de Adam Hall y no se puede transferir a terceras personas a las que el comprador haya cedido la propiedad del producto. Durante el periodo de garantía limitada, Adam Hall se compromete a reparar o sustituir las piezas defectuosas del producto. Todas las piezas o componentes retirados durante la reparación pasarán a ser propiedad de Adam Hall.

En el caso poco probable de que se produzca un fallo recurrente en el producto adquirido, Adam Hall, a su entera discreción, podrá optar por sustituir dicho producto por otro de similares características.

Adam Hall no garantiza el funcionamiento ininterrumpido y sin fallos de este producto. Adam Hall no se hace responsable de los posibles daños ocasionados por no seguir las instrucciones de uso suministradas con el producto Adam Hall.

Esta garantía limitada no se aplica:

- en caso de desgaste normal de los consumibles (baterías, etc.)
- a los productos cuyo número de serie ha sido borrado, o que han quedado dañados y defectuosos debido a un accidente
- en caso de defectos ocasionados por una incorrecta utilización o manipulación, o cualquier otra causa ajena
- en caso de utilización del producto no conforme con los parámetros establecidos en la documentación facilitada con el producto
- en caso de utilización de piezas de repuesto no fabricadas o vendidas por Adam Hall
- si el producto ha sido modificado o reparado por personal no autorizado por Adam Hall

Estos términos y condiciones constituyen el acuerdo de garantía íntegro y exclusivo entre usted y Adam Hall en relación con el producto Adam Hall que acaba de adquirir.

ENGLISH

DEUTSCH

FRANCAIS

ESPAÑOL

POLSKI

ITALIANO



DECLARACIÓN DEL FABRICANTE:

LIMITACIÓN DE RESPONSABILIDAD

Si su producto Adam Hall no funciona de acuerdo con las garantías mencionadas arriba, tendrá derecho exclusivamente a la reparación o sustitución del mismo. La responsabilidad máxima de Adam Hall en virtud de los términos de esta garantía está limitada al menor importe que resulte del precio de compra del producto, del coste de la reparación o la sustitución de las piezas que han dejado de funcionar en condiciones normales de uso.

Adam Hall no será responsable de cualquier daño causado por el producto o por el mal funcionamiento del producto, incluidas la pérdida de ganancias, la pérdida de ahorros o cualquier consecuencia derivada de dichas pérdidas. Adam Hall no se hará responsable de ninguna reclamación presentada por un tercero o por el comprador inicial en nombre de un tercero.

Esta limitación de responsabilidad se aplicará con independencia de que se solicite una indemnización por daños y perjuicios, o se presenten reclamaciones por negligencia, contractuales o de cualquier otra índole, y no podrá ser derogada o modificada. Esta limitación de responsabilidad será efectiva incluso en el caso de que el comprador hubiese avisado previamente a Adam Hall o a alguno de sus representantes de la posibilidad de reclamar daños y perjuicios. No obstante, esta limitación de responsabilidad no tendrá efecto en caso de reclamación por daños personales.

Esta garantía limitada le otorga derechos legales específicos. Puede que posea derechos adicionales conforme a la legislación del país o Estado en el que se encuentre. Le recomendamos que consulte la legislación vigente en su país o Estado para conocer el alcance de sus derechos.

APLICACIÓN DE LA GARANTÍA

Para solicitar asistencia técnica en relación con el producto en garantía, póngase en contacto con Adam Hall o con el distribuidor autorizado donde adquirió el producto.

DECLARACIÓN CE DE CONFORMIDAD

Estos dispositivos cumplen con los requisitos esenciales y otras disposiciones pertinentes de las Directivas 2004/108/CE (EMC) y 2006/95/EC (LVD). Para más información, consulte www.adamhall.com.

ELIMINACIÓN CORRECTA DE ESTE PRODUCTO (DESECHOS ELÉCTRICOS)

(Aplicable en la Unión Europea y en los países europeos que dispongan de un sistema de recogida selectiva)



El símbolo que aparece sobre el producto o en la documentación adjunta indica que, al final de su vida útil, no deberá desecharse con los demás residuos domésticos. Para evitar posibles efectos negativos en el medio ambiente y en la salud humana debidos al vertido incontrolado de desechos, no mezcle este producto con los demás residuos. La recogida selectiva ayuda a su posterior reciclaje y fomenta la reutilización sostenible de los componentes de este equipo.

Si usted es un particular, deberá ponerse en contacto con el distribuidor donde adquirió este producto, o con el ayuntamiento, para informarse sobre el reciclaje adecuado de este equipo.

Si usted es una empresa, deberá ponerse en contacto con su proveedor e informarse sobre los términos y condiciones de su contrato de compra-venta. Este producto no debe mezclarse con otros residuos industriales.



DECLARACIÓN DEL FABRICANTE:

DECLARACIÓN SOBRE WEEE

Este producto LD-Systems se ha desarrollado y fabricado con materiales y componentes de alta calidad que se pueden reciclar o reutilizar. Este símbolo indica que los equipos eléctricos y electrónicos deben separarse del resto de residuos comunes al final de su vida útil.

Para desechar este producto, llévelo al punto de recogida municipal o al centro de reciclaje específico para este tipo de equipos. De este modo, contribuirá a proteger el medioambiente.

PILAS Y ACUMULADORES

Las pilas suministradas o las pilas recargables se pueden reciclar. Para desecharlas, deposítelas en un contenedor especial o entréguelas a su proveedor especializado. Para proteger el medioambiente, deseché sólo pilas gastadas.

ENGLISH

DEUTSCH

FRANCAIS

ESPAÑOL

POLSKI

ITALIANO

Adam Hall GmbH. Todos los derechos reservados. Los datos técnicos y las características funcionales del producto están sujetos a modificaciones. Se prohíbe la fotocopia, traducción y cualquier otra forma de reproducción parcial o total de este manual de usuario.



NOTAS:

ENGLISH

DEUTSCH

FRANCAIS

ESPAÑOL

POLSKI

ITALIANO



NOTAS:

ENGLISH

DEUTSCH

FRANCAIS

ESPAÑOL

POLSKI

ITALIANO



ENGLISH

DEUTSCH

FRANCAIS

ESPAÑOL

POLSKI

ITALIANO

Dziękujemy za wybór marki Cameo Light!

Zaprojektowaliśmy ten produkt tak, aby działał niezawodnie przez wiele lat.

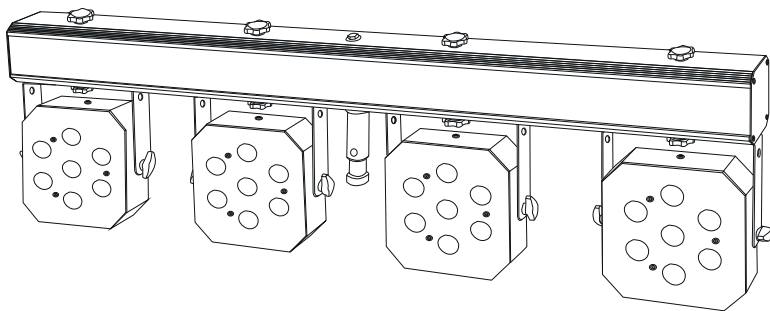
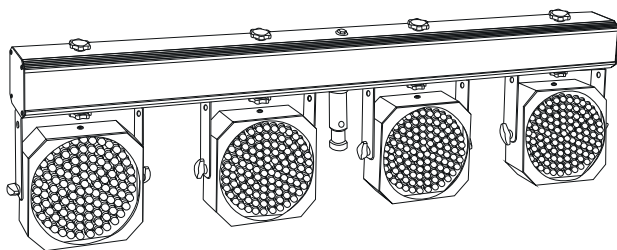
Prosimy o dokładne zapoznanie się z niniejszą instrukcją, ponieważ chcemy, abyś szybko mógł cieszyć się w pełni swoim nowym produktem Cameo Light.

Więcej informacji o marce Cameo Light znajduje się na naszej stronie internetowej WWW.CAMEOLIGHT.COM



LED MULTI PAR

ZESTAW LAMP LED CLMPAR1 / CLMPAR2



ENGLISH

DEUTSCH

FRANCAIS

ESPAÑOL

POLSKI

ITALIANO



ŚRODKI OSTROŻNOŚCI:

- Pod żadnym pozorem nie należy dopuszczać, by kabel zasilający stykał się z innymi kablami. Z kablem zasilającym i połączeniami napięcia sieciowego należy obchodzić się ze szczególną ostrożnością!
- W żadnym wypadku nie usuwać etykiet ostrzegawczych ani informacyjnych z urządzenia.
- Nie otwierać urządzenia ani nie wprowadzać w nim modyfikacji.
- Nie podłączać niniejszego urządzenia do ściemniacza.
- Nie włączać i wyłączać urządzenia w krótkich odstępach czasu, gdyż skraca to jego żywotność.
- Z urządzenia należy korzystać wyłącznie w pomieszczeniach zamkniętych.
- Nie narażać urządzenia na działanie źródeł ognia, płynów ani gazów.
- Przed przystąpieniem do czyszczenia urządzenia i w przypadku, gdy nie jest ono wykorzystywane, należy każdorazowo odłączać je od zasilania sieciowego! Kabel zasilający trzymać wyłącznie za wtyczkę. Nigdy nie wyciągać wtyczki, ciągnąc za kabel zasilający.
- Upewnić się, że wartość dostępnego napięcia mieści się w przedziale od 100 V AC do 250 V AC.
- Upewnić się każdorazowo, że kabel zasilający nie jest zgnieciony ani uszkodzony. Okresowo sprawdzać urządzenie i kabel zasilający.
- Jeżeli urządzenie zostanie upuszczone lub ulegnie uszkodzeniu, należy niezwłocznie odłączyć je od zasilania sieciowego.

Przed ponownym użyciem urządzenia należy zlecić jego sprawdzenie wykwalifikowanemu specjalście.

- Jeśli urządzenie było narażone na znaczne wahania temperatury (np. po transporcie), nie należy włączać go natychmiast. Powstająca kondensacja może uszkodzić urządzenie. Pozostaw urządzenie wyłączone, dopóki nie osiągnie temperatury pokojowej.
 - Jeśli produkt działa nieprawidłowo, natychmiast zaprzestań jego użytkowania. Należy zapakować urządzenie w sposób zapewniający bezpieczeństwo (najlepiej w oryginalne opakowanie) i przekazać je sprzedawcy urządzeń Cameo w celu przeprowadzenia serwisu.
 - Używaj wyłącznie bezpieczników tego samego typu i o tej samej wartości znamionowej.
 - Naprawy, serwis i podłączenie zasilania muszą być wykonywane wyłącznie przez wykwalifikowanego technika.
- NINIEJSZE URZĄDZENIE NIE ZAWIERA CZĘŚCI SERWISOWANYCH PRZEZ UŻYTKOWNIKA.**

W żadnym wypadku nie wolno używać akcesoriów ani wprowadzać modyfikacji niedopuszczonych przez producenta urządzenia.

Do pracy urządzenia należy wybrać miejsce, w którym jest ono zabezpieczone przed drganiem i w którym możliwy jest jego montaż w stałym położeniu. W przypadku montażu nad głową stosuj się do odpowiednich zasad i krajowych przepisów w zakresie bezpiecznego instalowania tego typu urządzeń.

Przed podłączeniem kabla napięcia przemiennego do gniazdka ściennego należy sprawdzić, czy wartość napięcia przemiennego i częstotliwość w sieci są zgodne z parametrami technicznymi produktu. Jeśli wtyczka sieciowa nie pasuje do gniazdka ściennego, należy niezwłocznie skontaktować się ze sprzedawcą.

Jeśli do urządzenia przedostały się płyny lub drobne przedmioty, należy natychmiast wyłączyć urządzenie i przekazać je autoryzowanemu serwisowi w celu skontrolowania bezpieczeństwa.

Odłączać urządzenie od sieci zasilającej poprzez wyciągnięcie wtyczki z gniazda ściennego lub gniazda zasilającego urządzenia na czas burzy z wyładowaniami atmosferycznymi, aby uniknąć uszkodzenia urządzenia w wyniku przepięć w sieci energetycznej.

Jeśli urządzenie działa nieprawidłowo lub doszło do uszkodzenia kabla zasilającego bądź innych części, należy natychmiast wyjąć wtyczkę zasilającą z gniazda ściennego i przekazać urządzenie autoryzowanemu serwisowi w celu sprawdzenia bezpieczeństwa.

Aby zachować funkcjonalność i bezpieczeństwo, podczas wykonywania prac związanych z konserwacją należy stosować wyłącznie oryginalne części zamienne. Ponadto należy upewnić się, że dystrybutor i/lub firma wykonująca prace konserwacyjne posiadają autoryzację producenta.



BEZPIECZEŃSTWO:

ENGLISH

DEUTSCH

FRANCAIS

ESPAÑOL

POLSKI

ITALIANO

ZALECENIA ZWIĄZANE Z OBSŁUGĄ URZĄDZENIA

W przypadku obsługi urządzenia w jakikolwiek inny sposób, niż opisany w niniejszej instrukcji, produkt może ulec uszkodzeniu, zaś gwarancja ulegnie unieważnieniu.

Niewłaściwe użytkowanie urządzenia może doprowadzić do sytuacji niebezpiecznych np. zwarcia instalacji elektrycznej, oparzeń, porażenia prądem, uszkodzenia lampy itd.

Nie narażać bezpieczeństwa swojego i innych osób!

Nieprawidłowy montaż lub użytkowanie mogą spowodować obrażenia u osób i szkody materialne.

OSTRZEŻENIE!

1. Nie należy patrzeć w stronę wiązki z odległości mniejszej niż 40 cm (16 cali).

2. Nie należy patrzeć w stronę wiązki przez długi czas z niewielkiej odległości.

3. Nie należy patrzeć w wiązkę bezpośrednio przy użyciu przyrządów optycznych, na przykład szkieł powiększających.



UWAGA:

Aby zmniejszyć zagrożenie porażeniem elektrycznym, nie wolno zdejmować pokrywy (lub tylnej części obudowy). Brak elementów serwisowalnych przez użytkownika wewnątrz. Obsługę serwisową należy przekazać wykwalifikowanemu personelowi



Symbol błyskawicy wewnątrz trójkąta równobocznego ostrzega użytkownika o nieizolowanych częściach pod niebezpiecznym napięciem wewnątrz obudowy produktu, które w znaczący sposób zwiększają zagrożenie dla zdrowia i życia osób.



Znak wykrzyknika wewnątrz trójkąta równobocznego zwraca uwagę użytkownika na ważne wskazówki dotyczące obsługi i konserwacji (serwisu) umieszczone w instrukcjach i opisach dostarczonych wraz z produktem.



WSTĘP:

FUNKCJE KONTROLERA

LED MULTI PAR (CLMPAR1)

- 432 (4 x 108) niezwykle jasne diody RGB 10 mm
- Kąt wiązki: 25°
- Torba transportowa dołączona do zestawu
- Wejście kontrolera nożnego (możliwość zastosowania opcjonalnego kontrolera nożnego CLMPARFOOT)
- Protokół DMX-512
- Tryb DMX 6 / 9 / 15 wybieralnych kanałów
- Tryb Master/Slave
- Tryb pracy niezależnej
- Panel sterowania z 4 przyciskami
- 14 zintegrowanych programów
- Solidna metalowa obudowa
- Podświetlany wyświetlacz LCD
- Możliwość zamontowania na trójnogu za pomocą adaptera TV 28 mm

FUNKCJE KONTROLERA

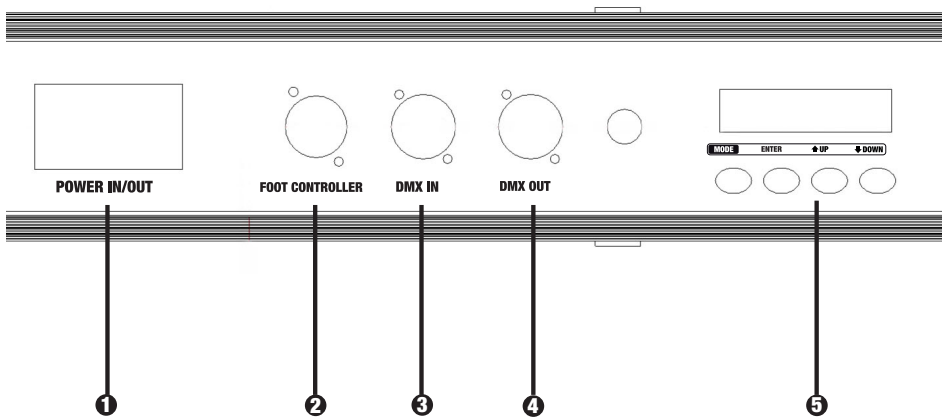
LED MULTI PAR (CLMPAR2)

- 28 (4 x 7) niezwykle jasnych, trójkolorowych diod 3 W
- Kąt wiązki: 25°
- Torba transportowa dołączona do zestawu
- Wejście kontrolera nożnego (możliwość zastosowania opcjonalnego kontrolera nożnego CLMPARFOOT)
- Protokół DMX-512
- Tryb DMX 6 / 9 / 15 wybieralnych kanałów
- Tryb Master/Slave
- Tryb pracy niezależnej
- Panel sterowania z 4 przyciskami
- 14 zintegrowanych programów
- Solidna metalowa obudowa
- Podświetlany wyświetlacz LCD
- Możliwość zamontowania na trójnogu za pomocą adaptera TV 28 mm

Doskonale zaprojektowany system lamp CAMEO LIGHT **LED MULTI PAR** gwarantuje bezproblemową instalację w 2 minuty.



PANEL TYLNY:



- 1 GNIAZDO ZASILANIA
- 2 WEJŚCIE KONTROLERA NOŻNEGO
- 3 WEJŚCIE DMX
- 4 WYJŚCIE DMX
- 5 PRZYCISKI MENU/WYŚWIETLACZ

ENGLISH

DEUTSCH

FRANÇAIS

ESPAÑOL

POLSKI

ITALIANO



INSTRUKCJA OBSŁUGI:

ZINTEGROWANE PROGRAMY

Istnieje możliwość wyboru spośród 14 zintegrowanych programów (01-14). W trybach STATIC, FLOW 8 i FLOW 9 (01, 13, 14) istnieje możliwość wyboru funkcji wygaszenia (COL:BLA) oraz 7 kolorów (czerwony, żółty, zielony, cyjan, niebieski, fioletowy, biały).

Czas błysku jest regulowany w zakresie 0–99 (Flash00–99).

W programach 2–14 (02–14) istnieje możliwość regulacji częstotliwości (00-99) oraz czasu błysku wszystkich 7 kolorów.

Aby wybrać inny tryb pracy (01-14, AUTO RUN, DMX MODE, SLAVE MODE, SOUND MODE), należy nacisnąć (w razie potrzeby kilkakrotnie) przycisk trybu (MODE).

Aby aktywować program, należy potwierdzić wybór jednokrotnym naciśnięciem przycisku ENTER (numer programu na wyświetlaczu miga).

Właściwy program należy wybrać przyciskami UP i DOWN. Po naciśnięciu przycisku ENTER można zmieniać kolor oraz czas błysku w programie 01 (ostatnia cyfra na wyświetlaczu miga).

Właściwą wartość należy wybrać przyciskami UP i DOWN.

Po naciśnięciu przycisku ENTER można zmieniać częstotliwość oraz czas błysku w programach 02–12 (ostatnia cyfra na wyświetlaczu miga). Właściwą wartość należy wybrać przyciskami UP i DOWN.

Po naciśnięciu przycisku ENTER można zmieniać częstotliwość, czas błysku, kolor 1 (C1) i kolor 2 (C2) w programach 13 i 14 (ostatnia cyfra na wyświetlaczu miga). Właściwą wartość należy wybrać przyciskami UP i DOWN.

PROGRAM	TRYB	FUNKCJA
P01	KOLOR STATYCZNY	Wygaszenie 7 kolorów Regulowany czas błysku
P02	EFEKT DREAM	Efekt colour dreaming w 7 kolorach Regulowany czas i częstotliwość błysku
P03	EFEKT METEOR	Efekt przepływania w 7 kolorach Regulowany czas i częstotliwość błysku
P04	EFEKT WYGASZANIA	Efekt wygaszania w 7 kolorach Regulowany czas i częstotliwość błysku
P05	ZMIANA KOLORÓW	Efekt zmiany 7 kolorów Regulowany czas i częstotliwość błysku
P06	PRZEPLÝW 1	1 sposób przepływu 7 kolorów Regulowany czas i częstotliwość błysku
P07	PRZEPLÝW 2	2 sposoby przepływu 7 kolorów Regulowany czas i częstotliwość błysku
P08	PRZEPLÝW 3	1 zamienny sposób przepływu 7 kolorów Regulowany czas i częstotliwość błysku



INSTRUKCJA OBSŁUGI:

ENGLISH

DEUTSCH

FRANCAIS

ESPAÑOL

POLSKI

ITALIANO

P09	PRZEPLÝW 4	2 zamienne sposoby przepływu 7 kolorów Regulowany czas i częstotliwość błysku
P10	PRZEPLÝW 5	Przepływ 7 kolorów z 2 stron ku środkowi Regulowany czas i częstotliwość błysku
P11	PRZEPLÝW 6	Przepływ 7 kolorów od środka w 2 kierunkach. Regulowany czas i częstotliwość błysku
P12	PRZEPLÝW 7	Efekt Colour chase, 7 kolorów Regulowany czas i częstotliwość błysku
P13	PRZEPLÝW 8	Efekt Colour chase w 2 kolorach (sposób 1) Regulowany czas i częstotliwość błysku Wygaszenie i 7 kolorów
P14	PRZEPLÝW 9	Efekt Colour chase w 2 kolorach (sposób 2) Regulowany czas i częstotliwość błysku Wygaszenie i 7 kolorów

TRYB AUTOMATYCZNY

Programy 02–14 następują po sobie w stałej kolejności. Częstotliwość zmiany programu jest regulowana w zakresie 01–99 (FQN 01–99)

TRYB SLAVE

Urządzenie w trybie Slave będzie działało zgodnie z ustawieniami innego w trybie Master (z wyjątkiem trybów DMX i Slave). Urządzenia w pracujące w trybie Master i Slave należy podłączać przewodami DMX.

TRYB STEROWANIA DŹWIĘKIEM

W tym trybie światła podążają za rytmem muzyki, wykorzystując wbudowany mikrofon. Czulość mikrofonu można regulować, zmieniając jej wartość (SENS:00-31). Częstotliwość zmiany programów jest regulowana w zakresie 01–99 (FQN 01–99)



INSTRUKCJA OBSŁUGI:

TRYB DMX

6 KANAŁÓW: Urządzenie pracuje jak jedna sekcja

9 KANAŁÓW: Urządzenie jest wyposażone w 2 niezależne sekcje, które mogą być sterowane oddzielnie (2 x 2 lampy, kanały CH4-CH9).

CH15: Urządzenie jest wyposażone w 4 niezależne sekcje, które mogą być sterowane oddzielnie (4 lampy, kanały CH4-CH15).

USTAWIENIA DLA 6 KANAŁÓW

CH1	CH2	CH3	CH4	CH5	CH6
0-10	Wygaszenie	Wygaszenie	Wygaszenie	Wygaszenie	Wygaszenie
11-21	Ściemniacz główny (0-255)	Błysk (0-255)	Czerwony (0-255)	Zielony (0-255)	Niebieski (0-255)
22-32 Czerwony		Błysk (0-255)			
33-43 Żółty		Błysk (0-255)			
44-54 Zielony		Błysk (0-255)			
55-65 Cyjan		Błysk (0-255)			
66-76 Niebieski		Błysk (0-255)			
77-87 Fioletowy		Błysk (0-255)			
88-98 Biały		Błysk (0-255)			
99-109 Efekt Dream	Szybkość (0-255)	Błysk (0-255)			
110-120 Efekt Meteor	Szybkość (0-255)	Błysk (0-255)			
121-131 Wygaszanie	Szybkość (0-255)	Błysk (0-255)			
132-142 Zmiana	Szybkość (0-255)	Błysk (0-255)			
143-153 Przepływ 1	Szybkość (0-255)	Błysk (0-255)			
154-164 Przepływ 2	Szybkość (0-255)	Błysk (0-255)			

ENGLISH

DEUTSCH

FRANÇAIS

ESPAÑOL

POLSKI

ITALIANO



INSTRUKCJA OBSŁUGI:

ENGLISH

DEUTSCH

FRANCAIS

ESPAÑOL

POLSKI

ITALIANO

165-175 Przepływ 3	Szybkość (0-255)	Błysk (0-255)			
176-186 Przepływ 4	Szybkość (0-255)	Błysk (0-255)			
187-197 Przepływ 5	Szybkość (0-255)	Błysk (0-255)			
198-208 Przepływ 6	Szybkość (0-255)	Błysk (0-255)			
209-219 Przepływ 7	Szybkość (0-255)	Błysk (0-255)			
220-230 Przepływ 8	Szybkość (0-255)	Błysk (0-255)	Wybór koloru		
231-241 Przepływ 9	Szybkość (0-255)	Błysk (0-255)	Wybór koloru		
242-255 Sterowanie dźwiękiem	Szybkość (0-255)	Błysk (0-255)			

USTAWIENIA DLA 9 KANAŁÓW

CH1	CH2	CH3	CH4	CH5	CH6	CH7	CH8	CH9
11-21	Ściemniacz główny (0-255)	Błysk (0-255)	R1	G1	B1	R2	G2	B2

CH1: powyżej wartości 21 funkcje są identyczne jak w trybie 6 kanałów.

USTAWIENIA DLA 15 KANAŁÓW

CH1	CH2	CH3	CH4	CH5	CH6	CH7	CH8
11-21	Ściemniacz główny (0-255)	Błysk (0-255)	R1	G1	B1	R2	G2

CH9	CH10	CH11	CH12	CH13	CH14	CH15
B2	R3	G3	B3	R4	G4	B4

CH1: powyżej wartości 21 funkcje są identyczne jak w trybie 6 kanałów.



POŁĄCZENIE DMX:

DMX-512

DMX (Digital Multiplex) is a universal protocol used as a form of communication between intelligent fixtures and controllers. A DMX controller sends DMX data instructions from the controller to the fixture. DMX data are sent as serial data that travel from fixture to fixture via the “DATA IN” and “DATA OUT” XLR terminals located on all DMX fixtures (most controllers only have a “DATA OUT” terminal).

DMX LINKING:

DMX is a language allowing all makes and models of different manufactures to be linked together and operate from a single controller, as long as all fixtures and the controller are DMX compliant. To ensure proper DMX data transmission, when using several DMX fixtures try to use the shortest cable path possible. The order in which fixtures are connected in a DMX line does not influence the DMX addressing. For example a fixture assigned to a DMX address of 1 may be placed anywhere in a DMX line, at the beginning, at the end, or anywhere in the middle. When a fixture is assigned a DMX address of 1, the DMX controller knows to send DATA assigned to address 1 to that unit, no matter where it is located in the DMX chain.



Please check out our comprehensive DMX cable choices out of our Adam Hall product lines 3 STAR, 4 STAR and 5 STAR

Also remember that DMX cable must be daisy chained and cannot be split.



KABLE DMX:

ENGLISH

DEUTSCH

FRANCAIS

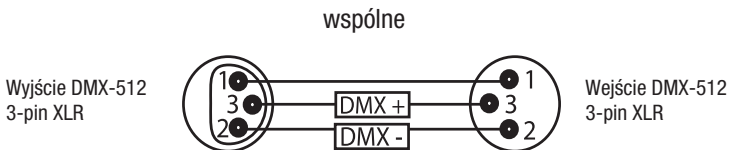
ESPAÑOL

POLSKI

ITALIANO

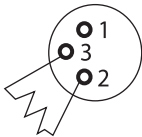
UWAGA:

- Wykonując własne kable, postępuj zgodnie z rys. 2 i 3. Nie podłączaj ekranu kabla do zacisku uziemienia ani nie pozwól, by ekran ten stykał się z zewnętrzną obudową złącza XLR. Uziemienie ekranu może spowodować zwarcie i nieprawidłowe zachowanie się urządzeń.



UWAGA SPECJALNA: ZAKOŃCZENIE LINII:

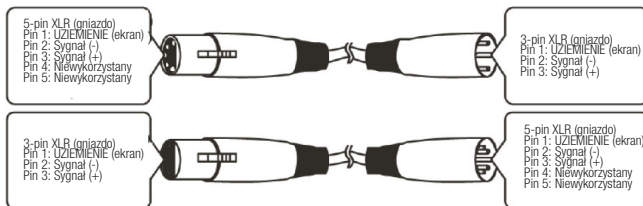
- W przypadku stosowania długich ciągów kablowych może być konieczne zastosowanie elementu zakończenia linii (tzw. terminatora) w ostatnim urządzeniu, aby zapobiec nieprawidłowej pracy urządzeń.



Zastosowanie zakończenia linii zmniejszy prawdopodobieństwo wystąpienia problemów z transmisją sygnału i zakłóceniami. Zaleca się podłączenie elementu zakończenia linii DMX (rezystor 120 Ω , 1/4 W) pomiędzy wyprowadzenia 2 (DMX-) i 3 (DMX+) ostatniego z urządzeń.

Zastosowanie elementu zakończenia linii (nr kat. K3DMXT3) zmniejszy prawdopodobieństwo nieprawidłowej pracy urządzeń.

- Niektórzy producenci wykorzystują do przesyłania danych złącza 5-pin XLR zamiast 3-pin. Urządzenia ze złączami 5-pin XLR można stosować w linii DMX ze złączami 3-pin. Przy łączeniu standardowych złączy 5-pin XLR w linii ze złączami 3-pin należy zastosować przejściówkę. Poniższa tabela przedstawia w sposób szczegółowy prawidłowe użycie drześciówek.





SPECYFIKACJA:

CLMPAR1 – WYMIARY I WAGA

Długość	1030 mm
Szerokość	100 mm
Wysokość	290 mm
Waga	5,0 kg
Kąt wiązki	25°

ZASILANIE

Pobór mocy	maks. 50 W
Parametry wejściowe	100 V AC - 250 V AC/60 Hz

BEZPIECZNIK

Główny	F 0,5 A
--------	---------

STEROWANIE I PROGRAMOWANIE

złącze DMX	WEJŚCIE: męski XLR 3 PIN z blokadą, WYJŚCIE: żeński XLR 3 PIN
Protokoły	DMX-512 USITT
kanały DMX	6 / 9 / 15 (wybieralne)
Złącze kontrolera nożnego	5-pin

CLMPAR2 WYMIARY I WAGA

Długość	1030 mm
Szerokość	100 mm
Wysokość	290 mm
Waga	7,0 kg
Kąt wiązki	25°

ZASILANIE

Pobór mocy	maks. 100 W
Parametry wejściowe	100 V AC - 250 V AC/60 Hz

BEZPIECZNIK

Główny	F2A
--------	-----

STEROWANIE I PROGRAMOWANIE

złącze DMX	WEJŚCIE: męski XLR 3 PIN z blokadą, WYJŚCIE: żeński XLR 3 PIN
Protokoły	DMX-512 USITT
kanały DMX	6 / 9 / 15 (wybieralne)
Złącze kontrolera nożnego	5-pin

ENGLISH

DEUTSCH

FRANÇAIS

ESPAÑOL

POLSKI

ITALIANO



DEKLARACJE PRODUCENTA:

ENGLISH

DEUTSCH

FRANCAIS

ESPAÑOL

POLSKI

ITALIANO

OGRANICZONA GWARANCJA

Ta Ograniczona Gwarancja dotyczy produktów marek Adam Hall, LD Systems, LD Premium, Defender, Palmer, Cameo oraz Eminence.

Niniejsza gwarancja nie wpływa na prawa gwarancyjne wynikające z przepisów lokalnych. Jest to dodatkowa, niezależna gwarancja ze strony firmy Adam Hall.

Adam Hall gwarantuje, że zakupiony produkt Adam Hall zakupiony od firmy Adam Hall lub autoryzowanego przedstawiciela Adam Hall, pozostanie wolny od wad w materiałach i wykonaniu, przy normalnym użytkowaniu przez okres 2 lub 3 lat od daty zakupu.

Okres gwarancyjny rozpoczyna się z dniem zakupu. Aby móc skorzystać z serwisu gwarancyjnego, kupujący zobowiązany jest do przedstawienia dowodu zakupu opatrzonego datą. Dokumenty takie jak paragon, faktura lub list przewozowy mogą być dowodem daty zakupu. Jeśli produkt wymienionych powyżej marek wymaga naprawy w czasie trwania okresu gwarancyjnego, nabywcy przysługują gwarancyjne usługi serwisowe zgodne z warunkami przedstawionymi w tym dokumencie.

Niniejsza gwarancja obejmuje wyłącznie oryginalnego nabywcę produktu marki Adam Hall i nie można jej przenieść na inną osobę, która przejmie własność produktu od oryginalnego nabywcy. Podczas okresu gwarancyjnego, Adam Hall zobowiązuje się do naprawy lub wymiany wadliwych komponentów produktu. Wszystkie części i elementy wymontowane z urządzenia podczas działań serwisowych stają się własnością Adam Hall.

W mało prawdopodobnym przypadku powtarzania się wady produktu Adam Hall, Adam Hall może zdecydować o dostarczeniu urządzenia zamiennego wybranego przez Adam Hall, które charakteryzuje się co najmniej takimi samymi parametrami jak reklamowany produkt.

Adam Hall nie gwarantuje, że eksploatacja produktu będzie przebiegać bezbłędnie lub nieprzerwanie. Adam Hall nie ponosi odpowiedzialności za uszkodzenia wynikające z niezastosowania się użytkownika do instrukcji dołączonej do produktu Adam Hall.

Ta Ograniczona Gwarancja nie dotyczy,

- części podlegających normalnemu zużyciu (np. akumulator)
- produktów, których numer seryjny został usunięty, uszkodzony lub pozbawiony czytelności wyniku wypadku
- przypadków nieprawidłowego użycia, celowego uszkodzenia lub powodów zewnętrznych
- przekroczenia dopuszczalnych parametrów pracy określonych w dokumentacji dostarczonej z produktem
- użycia części zamiennych nie pochodzących od Adam Hall
- przez modyfikację lub serwis nieprzeprowadzony przez Adam Hall

Te warunki określają kompletną i wyłączną umowę gwarancyjną między Nabywcą i firmą Adam Hall odnośnie zakupionego produktu markowego Adam Hall.



DEKLARACJE PRODUCENTA:

OGRANICZENIE ODPOWIEDZIALNOŚCI

Jeśli Twój produkt Adam Hall nie działa prawidłowo, wskazanym i wyłącznym rozwiązaniem jest naprawa lub wymiana. Maksymalna odpowiedzialność firmy Adam Hall w związku z niniejszą gwarancją ogranicza się maksymalnie do kwoty równej cenie zakupu produktu lub kosztom naprawy lub wymiany komponentów sprzętowych, które uległy uszkodzeniu lub nie działają prawidłowo podczas normalnego użytkowania.

Adam Hall nie odpowiada za jakiegokolwiek szkody spowodowane przez produkt lub awarię produktu, włącznie z utratą zysków lub oszczędności, szczególnych, przypadkowych lub powiązanych szkód. Adam Hall nie ponosi odpowiedzialności za zobowiązania użytkownika wobec stron trzecich lub zobowiązania stron trzecich wobec użytkownika.

Ograniczenie odpowiedzialności ma zastosowanie w przypadku, gdy występują roszczenia odszkodowawcze lub składane są reklamacje na podstawie niniejszej gwarancji lub jako roszczenie z tytułu czynu niedozwolonego (włączając w to zaniedbanie oraz ścisłą odpowiedzialność za produkt), roszczenie z umowy lub jakiegokolwiek inne roszczenie. Żadna osoba nie może uchylić lub zmienić tych ograniczeń odpowiedzialności. Niniejsze ograniczenie odpowiedzialności pozostaje w mocy nawet jeśli nabywca poinformował firmę Adam Hall lub jej autoryzowanego przedstawiciela o możliwości wystąpienia takich szkód. Te ograniczenia odpowiedzialności nie dotyczą roszczeń wynikających z wystąpienia obrażeń u osób.

Niniejsza Gwarancja daje Ci pewne specyficzne prawa. Mogą przysługiwać Ci również inne prawa, które różnią się między sobą zależnie od państwa nadania. Radzimy zapoznanie się z prawem właściwym krajowi zamieszkania, w celu uzyskania kompletnej wiedzy na temat przysługujących praw.

ŻĄDANIE OBSŁUGI GWARANCYJNEJ

Aby uzyskać obsługę gwarancyjną swojego produktu, skontaktuj się z firmą Adam Hall lub jej autoryzowanym przedstawicielem od którego kupiłeś produkt.

DEKLARACJA ZGODNOŚCI WE

Urządzenia te odpowiadają podstawowym wymogom i innym wytycznym dyrektyw 2004/108/EC (EMC) i 2006/95/EC (LVD). Więcej informacji na stronie: www.adamhall.com.

PRAWIDŁOWE SKŁADOWANIE TEGO PRODUKTU (ODPADY ELEKTRONICZNEJ)



(Informacje mają zastosowanie w krajach członkowskich UE i innych krajach europejskich, w których obowiązuje segregacja odpadów)

Ten znak na produkcie lub dołączonej dokumentacji oznacza, że nie należy go wyrzucać wraz z domowymi odpadkami po wycofaniu z użycia. Aby zapobiec możliwym szkodom dla środowiska i ludzkiego zdrowia spowodowanym niekontrolowanym składowaniem odpadów, prosimy o oddzielenie tego produktu od innych odpadów i odpowiedzialne poddanie go recyklingowi w celu promowania ciągłego odzyskiwania zasobów materiałowych.

Użytkownicy domowi powinni skontaktować się ze sprzedawcą lub lokalnym urzędem, aby uzyskać informacje na temat przyjaznej środowisku zbiórki odpadów elektronicznych.

Użytkownicy biznesowi powinni skontaktować się ze swoim dostawcą i sprawdzić warunki kontraktu nabycia. Tego produktu nie należy mieszać z innymi odpadami komercyjnymi przy składowaniu.



DEKLARACJE PRODUCENTA:

DEKLARACJA-WEEE



Twój produkt LD Systems został zaprojektowany i wykonany z wysokiej jakości materiałów i komponentów, które można poddać recyklingowi i/lub użyć ponownie. Ten symbol oznacza, że sprzęt elektryczny i elektroniczny należy składować osobno od normalnych odpadów po zakończeniu użytkowania.

Prosimy, przekaż ten produkt do lokalnego punktu zbiórki lub centrum recyklingowego przeznaczonego dla tego typu sprzętu. W ten sposób przyczynisz się do ochrony środowiska, w którym żyjemy.

BATERIE I AKUMULATORY



Dołączone baterie lub akumulatory można poddać recyklingowi. Prosimy, składuj je jako specjalne odpady lub zwróć do punktu nabycia. W celu ochrony środowiska wyrzucaj wyłącznie zużyte baterie.

ENGLISH

DEUTSCH

FRANCAIS

ESPAÑOL

POLSKI

ITALIANO

Adam Hall GmbH, wszystkie prawa zastrzeżone. Dane techniczne i funkcjonalne produktu mogą podlegać modyfikacjom. Kopiowanie, tłumaczenie i pozostałe formy reprodukcji fragmentów lub całości tej instrukcji obsługi są zabronione.



NOTATKI:

ENGLISH

DEUTSCH

FRANCAIS

ESPAÑOL

POLSKI

ITALIANO



NOTATKI:

ENGLISH

DEUTSCH

FRANCAIS

ESPAÑOL

POLSKI

ITALIANO



ENGLISH

DEUTSCH

FRANCAIS

ESPAÑOL

POLSKI

ITALIANO

La ringraziamo per aver scelto un prodotto Cameo Light!

Questo prodotto è stato progettato per garantire un funzionamento affidabile per molti anni.

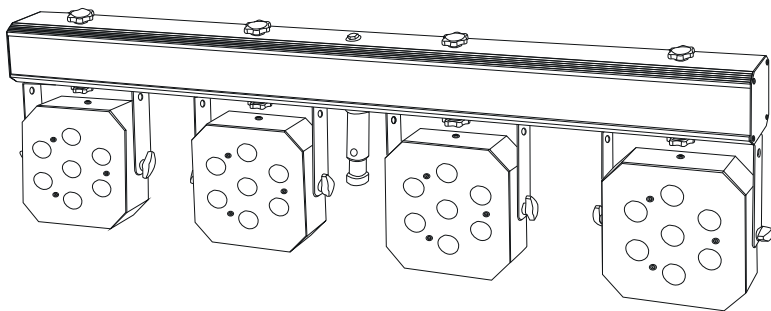
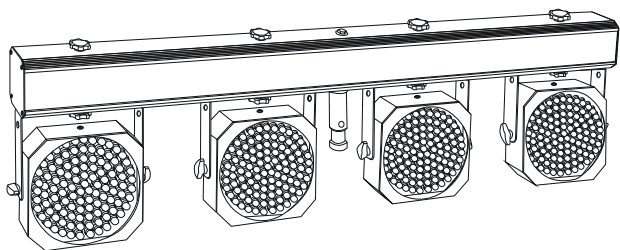
La invitiamo a dedicare un po' del suo tempo per leggere con attenzione le presenti istruzioni affinché possa sfruttare al meglio e rapidamente il suo nuovo prodotto Cameo Light.

Per maggiori informazioni su Cameo Light visiti il sito WWW.CAMEOLIGHT.COM



LED MULTI PAR

SET DI FARI A LED CLMPAR1 / CLMPAR2



ENGLISH

DEUTSCH

FRANCAIS

ESPAÑOL

POLSKI

ITALIANO



MISURE PRECAUZIONALI:

- Fare in modo che il cavo CA non venga mai a contatto con altri cavi. Maneggiare con cura il cavo CA e tutti gli altri collegamenti a tensione di rete.
- Non asportare le etichette di avviso e le etichette informative dal dispositivo.
- Non aprire il dispositivo e non modificarlo.
- Non connettere il dispositivo ad una centralina luci.
- Non accendere e spegnere il dispositivo ripetutamente a breve distanza di tempo in quanto questo riduce la vita del sistema.
- Utilizzare il dispositivo solo in ambienti coperti.
- Non esporre a fonti, liquidi e gas infiammabili.
- Disconnettere sempre l'alimentazione dalla rete quando il dispositivo non è in uso o prima di procedere alla pulizia. Per scollegare il cavo CA utilizzare sempre la spina. Non tirare mai il cavo CA per estrarre la spina CA.
- Accertarsi che la tensione di rete sia compresa tra 220V e 240V.
- Assicurarsi che il cavo CA non sia piegato o danneggiato. Controllare periodicamente il dispositivo e il cavo CA.
- In caso di caduta o di danneggiamento del dispositivo scollegarlo immediatamente dalla rete di alimentazione. Far controllare il dispositivo da un tecnico qualificato prima di riutilizzarlo.
- Se il dispositivo è stato esposto a forti sbalzi di temperatura (ad es. dopo il trasporto), non accenderlo immediatamente. La condensa derivante potrebbe danneggiare il dispositivo. Non accendere il dispositivo fin quando non ha raggiunto nuovamente la temperatura ambiente.
- Se il dispositivo non funziona correttamente, interrompere immediatamente l'utilizzo. Imballare l'unità in modo sicuro, utilizzando preferibilmente l'imballo originale, e inviarlo al proprio rivenditore Cameo per l'assistenza.
- Utilizzare esclusivamente fusibili dello stesso tipo e potenza.
- Gli interventi di riparazione, manutenzione e connessione all'alimentazione devono essere effettuati esclusivamente da un tecnico qualificato. **L'UNITÀ NON CONTIENE PARTI SULLE QUALI L'UTENTE PUÒ PROCEDERE ALLA MANUTENZIONE.**
- Mai utilizzare accessori o apportare modifiche non autorizzate dal produttore dell'unità.
- Scegliere un luogo di installazione al riparo da vibrazioni e dove l'unità disponga di un posizione di montaggio fissa. In caso di installazione a muro seguire appropriate tecniche di montaggio e le normative valide nel paese di utilizzo per la sicurezza di montaggio.
- Prima di collegare il cavo CA alla presa di corrente a muro, controllare che il voltaggio e la frequenza della rete CA corrispondano a quelle richieste per il prodotto. Nel caso in cui le caratteristiche della presa CA non corrispondano a quelle della presa a muro, contattare immediatamente il proprio rivenditore.
- Nel caso in cui liquidi o piccoli frammenti residui penetrino o si introducano nell'unità, spegnere immediatamente il dispositivo e inviarlo ad un centro di assistenza autorizzato affinché vengano svolti i controlli di sicurezza.
- Scollegare l'unità dall'alimentazione CA estraendo la spina CA dalla presa a muro o dalla presa CA dell'unità durante i temporali in modo da evitare danni causati da picchi di tensione CA.
- In caso di malfunzionamento dell'unità o in presenza di danni al cavo CA o ad altre parti, rimuovere immediatamente la spina CA dalla presa a muro e inviare l'unità a un centro di assistenza autorizzato per i controlli di sicurezza.
- Per garantire la funzionalità dell'unità e la sicurezza durante le operazioni di manutenzione, tutte le parti della stessa devono essere sostituite con ricambi originali. Assicurarsi quindi che il rivenditore o l'azienda che effettua la manutenzione siano centri autorizzati dal produttore.

ENGLISH

DEUTSCH

FRANÇAIS

ESPAÑOL

POLSKI

ITALIANO



SICUREZZA:

ENGLISH

DEUTSCH

FRANCAIS

ESPAÑOL

POLSKI

ITALIANO

CONDIZIONI DI FUNZIONAMENTO

Nel caso in cui il dispositivo venga utilizzato in modo diverso da quanto previsto nel presente manuale, il prodotto potrebbe subire danni e la garanzia decadrà.

Un utilizzo improprio potrebbe causare pericoli come ad esempio corto circuiti, ustioni, scosse elettriche, guasti alle lampade, ecc.

Si invita ad evitare di mettere a repentaglio la propria sicurezza e quella degli altri.

Un'errata installazione o l'uso improprio possono causare gravi danni alle persone e alle cose.

ATTENZIONE!

- 1. Non guardare il fascio di luce da una distanza inferiore a 40 cm (16 pollici).**
- 2. Non fissare il fascio di luce da breve distanza per lunghi periodi.**
- 3. Non inquadrare direttamente il fascio di luce con strumenti ottici come lenti di ingrandimento.**



ATTENZIONE:

Per ridurre il rischio di scosse elettriche, non rimuovere il coperchio (o il retro). Non sono presenti parti su cui l'utente può effettuare operazioni di manutenzione all'interno del dispositivo. Rivolgersi a personale qualificato per effettuare le operazioni di manutenzione.



Il simbolo del fulmine con la punta di freccia all'interno di un triangolo equilatero avverte l'utente della presenza di una "tensione pericolosa" non isolata all'interno del corpo del prodotto, di magnitudine tale da costituire un pericolo per le persone.



Il punto esclamativo all'interno di un triangolo equilatero avverte l'utente della presenza di importanti istruzioni operative e relative alla manutenzione nella documentazione che accompagna l'apparecchio.



INTRODUZIONE:

CARATTERISTICHE DELL'UNITÀ DI CONTROLLO

LED MULTI PAR (CLMPAR1)

- 432 (4 x 108) LED RGB ultra luminosi da 10 mm
- Angolo del fascio: 25 gradi
- Borsa per il trasporto inclusa
- Ingresso per pedaliera di controllo (pedaliera CLMPARFOOT opzionale)
- Protocollo DMX-512
- Modalità DMX a 6 / 9 / 15 canali selezionabili
- Modalità master/slave
- Modalità stand-alone
- Pannello di comando a 4 pulsanti
- 14 programmi integrati
- Corpo compatto in metallo
- Display LCD retroilluminato
- Predisposizione per montaggio treppiede con adattatore TV da 28 mm

CARATTERISTICHE DELL'UNITÀ DI CONTROLLO

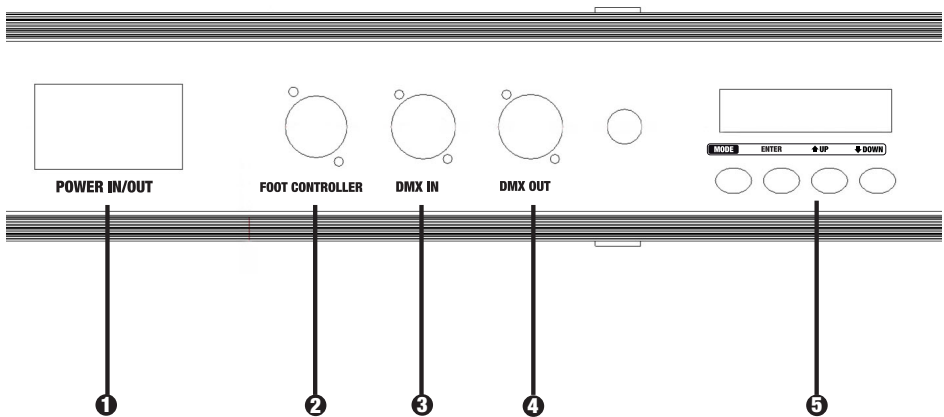
LED MULTI PAR (CLMPAR2)

- 28 (4 x 7) LED colorati 3W TRI ultra luminosi
- Angolo del fascio: 25 gradi
- Borsa per il trasporto inclusa
- Ingresso per pedaliera di controllo (pedaliera CLMPARFOOT opzionale)
- Protocollo DMX-512
- Modalità DMX a 6 / 9 / 15 canali selezionabili
- Modalità master/slave
- Modalità stand-alone
- Pannello di comando a 4 pulsanti
- 14 programmi integrati
- Corpo compatto in metallo
- Display LCD retroilluminato
- Predisposizione per montaggio treppiede con adattatore TV da 28 mm

Benvenuti nel mondo **LED MULTI PAR** di CAMEO LIGHT, una serie innovativa di sistemi ad alte prestazioni e dal design intelligente che consente un rapido montaggio in meno di due minuti.



PANNELLO POSTERIORE:



- 1** INGRESSO/USCITA ALIMENTAZIONE AC
- 2** INGRESSO PEDALIERA DI CONTROLLO
- 3** INGRESSO DMX
- 4** USCITA DMX
- 5** PULSANTI MENU/DISPLAY

ENGLISH

DEUTSCH

FRANCAIS

ESPAÑOL

POLSKI

ITALIANO



ISTRUZIONI PER L'USO:

PROGRAMMI INTEGRATI

È possibile scegliere fra 14 programmi integrati (01-14). Nei programmi STATIC, FLOW 8 e FLOW 9 (01, 13, 14) è possibile selezionare la modalità Blackout (COL:BLA) o 7 colori (rosso, giallo, verde, ciano, blu, viola, bianco). L'intervallo del flash può essere regolato da 0 A 99 (Flash00-99).

Nei programmi dal 2 al 14 (02-14) è possibile regolare la velocità (Velocità00-99) di ciascun programma e l'intervallo del flash di tutti e 7 i colori.

Per selezionare altre modalità (modalità Programma 01 - 14, AUTO RUN, MODALITÀ DMX, MODALITÀ SLAVE , MODALITÀ SUONO), premere il pulsante MODE (più volte, se necessario).

Per selezionare un programma, scegliere la modalità Programma e premere ENTER una volta (il numero del programma lampeggia).

Selezionare il programma desiderato utilizzando i pulsanti UP e DOWN. Premere ENTER (più volte, se necessario) per modificare l'intervallo del colore e del flash (l'ultima cifra lampeggia) utilizzando il programma 01.

Modificare il valore con i tasti UP e DOWN.

Premere ENTER (più volte, se necessario) per modificare l'intervallo della velocità e del flash (l'ultima cifra lampeggia) utilizzando i programmi da 02 a 12. Modificare il valore con i tasti UP e DOWN.

Premere ENTER (più volte, se necessario) per modificare l'intervallo della velocità e del flash, il colore 1 (C1) ed il colore 2 (C2) (l'ultima cifra lampeggia) utilizzando i programmi 13 e 14. Modificare il valore con i tasti UP e DOWN.

PROGRAMMA	MODALITÀ	FUNZIONE
P01	COLORE FISSO	Blackout 7 colori Intervallo flash regolabile
P02	DREAM	Modalità Dream a 7 colori Intervallo velocità e flash regolabile
P03	METEOR	Modalità flow a 7 colori Intervallo velocità e flash regolabile
P04	DISSOLVENZA	Modalità in dissolvenza a 7 colori Intervallo velocità e flash regolabile
P05	CAMBIO	Modalità cambio colori a 7 colori Intervallo velocità e flash regolabile
P06	FLOW 1	7 colori in serie in una direzione Intervallo velocità e flash regolabile
P07	FLOW 2	7 colori in serie in due direzioni Intervallo velocità e flash regolabile
P08	FLOW 3	7 colori in serie con alternanza continua in una direzione Intervallo velocità e flash regolabile



ISTRUZIONI PER L'USO:

ENGLISH

DEUTSCH

FRANCAIS

ESPAÑOL

POLSKI

ITALIANO

P09	FLOW 4	7 colori in serie con alternanza continua in due direzioni Intervallo velocità e flash regolabile
P10	FLOW 5	7 colori in serie dalle due estremità verso il centro Intervallo velocità e flash regolabile
P11	FLOW 6	7 colori dal centro verso le due estremità Intervallo velocità e flash regolabile
P12	FLOW 7	Modalità in serie a 7 colori Intervallo velocità e flash regolabile
P13	FLOW 8	2 colori in serie in una direzione Intervallo velocità e flash regolabile Blackout e 7 colori
P14	FLOW 9	2 colori in serie in due direzioni Intervallo velocità e flash regolabile Blackout e 7 colori

MODALITÀ AUTOMATICA

I programmi da 02 a 14 si susseguiranno in sequenza. È possibile regolare la frequenza da 01 a 99 (FQN:01 - 99).

MODALITÀ SLAVE

La modalità Slave succederà alla modalità Master dell'unità (qualsiasi altra modalità eccetto DMX e Slave). Collegare le unità Master e Slave utilizzando i cavi DMX.

MODALITÀ SUONO

L'unità in modalità Suono seguirà il ritmo della musica grazie al microfono incorporato. Regolare la sensibilità del microfono modificando il valore (SENS:00 - 31). È possibile regolare la frequenza dei programmi in alternanza da 01 a 99 (FQN:01 - 99).



ISTRUZIONI PER L'USO:

MODALITÀ DMX

6 CH: l'unità lavora come una sezione

9 CH: l'unità ha due sezioni che possono essere azionate separatamente (2 x due lampade, CH4 - CH9).

15 CH: l'unità ha quattro sezioni che possono essere azionate separatamente (quattro lampade, CH4 - CH15).

IMPOSTAZIONI CH 6

CH1	CH2	CH3	CH4	CH5	CH6
0-10	blackout	blackout	blackout	blackout	blackout
11-21	Varialuce master (dimmer) (0-255)	Flash (0-255)	Rosso (0-255)	Verde (0-255)	Blu (0-255)
22-32 Rosso		Flash (0-255)			
33-43 Giallo		Flash (0-255)			
44-54 Verde		Flash (0-255)			
55-65 Ciano		Flash (0-255)			
66-76 Blu		Flash (0-255)			
77-87 Viola		Flash (0-255)			
88-98 Bianco		Flash (0-255)			
99-109 Dream	Velocità (0-255)	Flash (0-255)			
110-120 Meteor	Velocità (0-255)	Flash (0-255)			
121-131 Dissolvenza	Velocità (0-255)	Flash (0-255)			
132-142 Cambio	Velocità (0-255)	Flash (0-255)			
143-153 Flow 1	Velocità (0-255)	Flash (0-255)			
154-164 Flow 2	Velocità (0-255)	Flash (0-255)			
165-175 Flow 3	Velocità (0-255)	Flash (0-255)			
176-186 Flow 4	Velocità (0-255)	Flash (0-255)			
187-197 Flow 5	Velocità (0-255)	Flash (0-255)			

ENGLISH

DEUTSCH

FRANCAIS

ESPAÑOL

POLSKI

ITALIANO



ISTRUZIONI PER L'USO:

ENGLISH

DEUTSCH

FRANCAIS

ESPAÑOL

POLSKI

ITALIANO

198-208 Flow 6	Velocità (0-255)	Flash (0-255)			
209-219 Flow 7	Velocità (0-255)	Flash (0-255)			
220-230 Flow 8	Velocità (0-255)	Flash (0-255)	Selezione colori		
231-241 Flow 9	Velocità (0-255)	Flash (0-255)	Selezione colori		
242-255 Controllo del suono	Velocità (0-255)	Flash (0-255)			

IMPOSTAZIONI CH 9

CH1	CH2	CH3	CH4	CH5	CH6	CH7	CH8	CH9
11-21	Varialuce master (dimmer) (0-255)	Flash (0-255)	R1	G1	B1	R2	G2	B2

CH1 sopra il valore 21 ha le stesse funzioni della modalità a 6canali.

IMPOSTAZIONI CH 15

CH1	CH2	CH3	CH4	CH5	CH6	CH7	CH8
11-21	Varialuce master (dimmer) (0-255)	Flash (0-255)	R1	G1	B1	R2	G2

CH9	CH10	CH11	CH12	CH13	CH14	CH15
B2	R3	G3	B3	R4	G4	B4

CH1 sopra il valore 21 ha le stesse funzioni della modalità a 6canali.



COLLEGAMENTO DMX:

DMX-512

DMX (Digital Multiplex) is a universal protocol used as a form of communication between intelligent fixtures and controllers. A DMX controller sends DMX data instructions from the controller to the fixture. DMX data are sent as serial data that travel from fixture to fixture via the “DATA IN” and “DATA OUT” XLR terminals located on all DMX fixtures (most controllers only have a “DATA OUT” terminal).

DMX LINKING:

DMX is a language allowing all makes and models of different manufactures to be linked together and operate from a single controller, as long as all fixtures and the controller are DMX compliant. To ensure proper DMX data transmission, when using several DMX fixtures try to use the shortest cable path possible. The order in which fixtures are connected in a DMX line does not influence the DMX addressing. For example a fixture assigned to a DMX address of 1 may be placed anywhere in a DMX line, at the beginning, at the end, or anywhere in the middle. When a fixture is assigned a DMX address of 1, the DMX controller knows to send DATA assigned to address 1 to that unit, no matter where it is located in the DMX chain.



Please check out our comprehensive DMX cable choices out of our Adam Hall product lines 3 STAR, 4 STAR and 5 STAR

Also remember that DMX cable must be daisy chained and cannot be split.



CAVI DMX:

ENGLISH

DEUTSCH

FRANCAIS

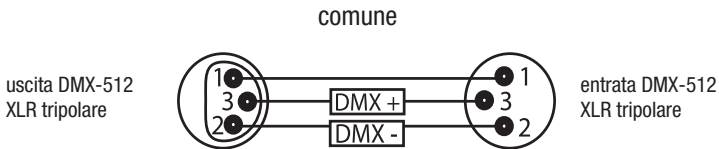
ESPAÑOL

POLSKI

ITALIANO

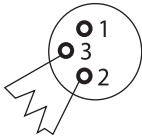
N.B.:

- Assicurarsi di seguire le istruzioni riportate nelle figure 2 e 3 quando si procede alla fabbricazione dei propri cavi. Non collegare il conduttore schermato del cavo al capocorda di messa a terra ed evitare che il conduttore schermato venga a contatto con il rivestimento esterno del connettore XLR. La messa a terra della schermatura potrebbe provocare un corto circuito o un malfunzionamento.



IMPORTANTE! TERMINAZIONE DI LINEA:

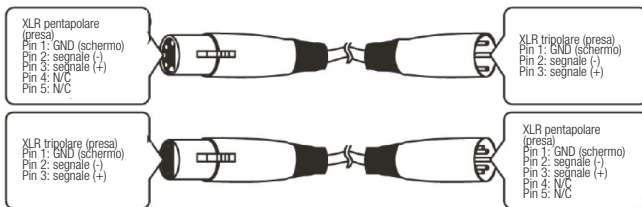
- quando si utilizzano cavi molto lunghi potrebbe essere necessario utilizzare un terminatore sull'ultima unità per evitare malfunzionamenti.



Il terminatore riduce i problemi di trasmissione del segnale e le interferenze. È sempre consigliabile collegare un terminatore DMX (resistenza 120 Ohm 1/4W) tra il pin 2 (DMX-) e il pin 3 (DMX+) dell'ultimo apparecchio.

Utilizzando un terminatore per cavi (art. n. K3DMXT3) si riduce il rischio di malfunzionamenti.

- Alcuni produttori utilizzano connettori XLR pentapolari per la trasmissione dati al posto dei connettori tripolari. Gli apparecchi dotati di connettori XLR pentapolari possono essere utilizzati in una linea DMX con XLR tripolari. Quando si collega un connettore XLR pentapolare standard ad una linea tripolare è necessario utilizzare un adattatore. Nel grafico sottostante sono indicate le corrette conversioni dei cavi.





SPECIFICHE:

PESO E DIMENSIONI CLMPAR1

Lunghezza	1.030 mm
Larghezza	100 mm
Altezza	290 mm
Peso	5,0 kg
Angolo del fascio	25°

ALIMENTAZIONE

Assorbimento di corrente	max. 50 W
CA in ingresso	100 V AC - 250 V AC / 60 Hz

FUSIBILE

Main	F0.5A
------	-------

CONTROLLO E PROGRAMMAZIONE

Collegamento DMX	Presa d'ingresso con attacco maschio XLR tripolare dotata di sistema di bloccaggio, uscita con attacco femmina XLR tripolare
Protocolli	DMX-512 USITT
Canali DMX	6 / 9 / 15 selezionabili
Collegamento a pedaliera di controllo	pentapolare

PESO E DIMENSIONI CLMPAR2

Lunghezza	1.030 mm
Larghezza	100 mm
Altezza	290 mm
Peso	7,0 kg
Angolo del fascio	25°

ALIMENTAZIONE

Assorbimento di corrente	max. 100 W
CA in ingresso	100 V AC - 250 V AC / 60 Hz

FUSIBILE

Main	F2A
------	-----

CONTROLLO E PROGRAMMAZIONE

Collegamento DMX	Presa d'ingresso con attacco maschio XLR tripolare dotata di sistema di bloccaggio, uscita con attacco femmina XLR tripolare
Protocolli	DMX-512 USITT
Canali DMX	6 / 9 / 15 selezionabili
Collegamento a pedaliera di controllo	pentapolare

ENGLISH

DEUTSCH

FRANÇAIS

ESPAÑOL

POLSKI

ITALIANO



DICHIARAZIONI DEL PRODUTTORE:

GARANZIA DEL PRODUTTORE

Le seguenti condizioni di garanzia si applicano ai prodotti dei marchi Adam Hall, LD Systems, LD Premium, Defender, Palmer, Cameo e Eminence.

La presente dichiarazione di garanzia non influisce sui diritti di garanzia del produttore previsti dalla legge, ma estende ulteriormente tali diritti anche nei confronti della ditta Adam Hall.

Adam Hall garantisce per un periodo di due o cinque anni dalla data di acquisto che questo prodotto Adam Hall acquistato direttamente dall'azienda o attraverso un rivenditore autorizzato, se utilizzato correttamente, è privo di difetti di materiale e manodopera.

Il periodo di garanzia ha inizio dalla data di acquisto del prodotto che, nel caso in cui si voglia usufruire della garanzia, va adeguatamente documentata tramite la presentazione dello scontrino o della bolla di consegna con la data di acquisto. Qualora, entro il periodo di garanzia, i prodotti di una delle marche sovraindicate necessitino di interventi di riparazione, l'utente ha diritto ad usufruire del servizio alle condizioni indicate nel presente documento.

Questa garanzia del produttore è valida esclusivamente per il primo proprietario del prodotto Adam Hall e non si può trasferire ad un eventuale proprietario successivo. Entro il periodo di garanzia, Adam Hall si fa carico della riparazione o della sostituzione dei componenti o degli apparecchi difettosi. Tutti i componenti o i prodotti sostituiti usufruendo della garanzia del produttore diventano di proprietà di Adam Hall.

Nel caso improbabile che il prodotto acquistato presenti ripetuti malfunzionamenti, la ditta Adam Hall è autorizzata a sostituire a propria discrezione il prodotto difettoso con un altro, a patto che il nuovo prodotto sia di uguale valore rispetto a quello vecchio per quanto riguarda le caratteristiche hardware.

Adam Hall non garantisce che il prodotto sia perfettamente funzionante e/o senza difetti. Inoltre, Adam Hall non risponde di danni derivanti dall'inosservanza delle indicazioni riportate nelle istruzioni d'uso fornite con il presente prodotto e in altra documentazione.

La garanzia del produttore non copre:

- parti soggette ad usura (es. accumulatori),
- apparecchi dai quali è stato rimosso il numero di serie o il cui numero di serie risulta illeggibile a causa di danneggiamenti causati dall'utente,
- danni derivanti da uso errato o improprio o altre cause esterne,
- danni ad apparecchi che non sono stati utilizzati secondo i parametri di funzionamento (parametri indicati nella documentazione contenuta nella confezione),
- danni derivanti dall'utilizzo di componenti non prodotti o distribuiti da Adam Hall,
- danni derivanti da interventi, modifiche o riparazioni non effettuate da Adam Hall.

Le presenti condizioni costituiscono l'accordo di garanzia completo ed esclusivo tra l'acquirente e la Adam Hall per il prodotto Adam Hall acquistato.

ENGLISH

DEUTSCH

FRANCAIS

ESPAÑOL

POLSKI

ITALIANO



DICHIARAZIONI DEL PRODUTTORE:

LIMITAZIONI DI RESPONSABILITÀ

Nel caso in cui, durante il periodo di garanzia, i prodotti hardware Adam Hall presentino difetti di materiale o di lavorazione (in base alla dichiarazione di garanzia precedente), il solo ed unico diritto del cliente previsto dalla presente garanzia è quello di riparazione o sostituzione dell'apparecchio. La massima responsabilità di Adam Hall è limitata, come espressamente indicato nella garanzia, al prezzo d'acquisto o ai costi per la riparazione o la sostituzione (e in questo caso per l'importo minore) dei componenti hardware difettosi in caso di uso corretto degli stessi.

Adam Hall non è responsabile per eventuali danni provocati dal prodotto o dal malfunzionamento dello stesso, compresi mancati guadagni, perdite e danni speciali indiretti o conseguenti. Inoltre Adam Hall è indenne da richieste avanzate da terzi o dal cliente in nome di terzi.

La presente limitazione di responsabilità vale indipendentemente dal fatto che i danni siano oggetto di procedimenti giudiziari o che siano oggetto di risarcimento danni ai sensi della presente garanzia o per atti illeciti (incluse negligenza e responsabilità oggettiva) o per pretese contrattuali o di altra natura, e non può essere né annullata né modificata. La presente limitazione di responsabilità è valida anche nel caso in cui l'utente abbia avvisato Adam Hall o un rappresentante autorizzato di possibili danni. Tale limitazione non è però valida in caso di richieste per risarcimento danni in relazione a danni a persone.

La garanzia del produttore permette di godere di determinati diritti. A seconda della giurisdizione competente (dello stato o della regione in cui si risiede) è possibile ottenere ulteriori diritti. Si consiglia quindi di consultare le leggi applicabili per determinare l'insieme dei diritti di cui si può godere.

RICORSO ALLA GARANZIA

Per usufruire della garanzia rivolgersi direttamente a Adam Hall o al rivenditore autorizzato Adam Hall, dal quale è stato acquistato il prodotto.

CE DICHIARAZIONE DI CONFORMITÀ

Questi dispositivi soddisfano i requisiti essenziali e le altre disposizioni pertinenti delle direttive 2004/108/CE (EMC) e 2006/95/EC (LVD). Per ulteriori informazioni, vedere www.adamhall.com.

CORRETTO SMALTIMENTO DEL PRODOTTO ("RIFIUTI ELETTRONICI")

(Valido nei paesi dell'Unione europea e in altri paesi con sistema di smaltimento differenziato dei rifiuti)



Questo simbolo sul prodotto o sui documenti relativi ad esso sta ad indicare che l'apparecchio alla fine del suo ciclo di vita non deve essere smaltito insieme ai normali rifiuti domestici, in modo tale da evitare eventuali danni ambientali e alle persone causati da uno smaltimento incontrollato dei rifiuti. Si prega di smaltire questo prodotto separatamente da altri rifiuti e promuovere così lo sviluppo di cicli economici sostenibili con il riciclaggio.

I privati cittadini possono ricevere informazioni sulle possibilità di smaltimento sostenibile presso il venditore dal quale è stato acquistato il prodotto o presso le autorità regionali competenti. I professionisti devono invece contattare il loro fornitore di fiducia e controllare le eventuali condizioni contrattuali per lo smaltimento degli apparecchi. Questo prodotto non deve essere smaltito assieme ad altri rifiuti industriali.



DICHIARAZIONI DEL PRODUTTORE:

DICHIARAZIONE RAEE



Il prodotto LD Systems acquistato è stato realizzato tramite l'utilizzo di materiali e componenti di qualità che possono essere riciclati o riutilizzati. Questo simbolo indica che gli apparecchi elettronici non vanno smaltiti assieme ai normali rifiuti domestici indifferenziati. Si prega di smaltire questo apparecchio a norma di legge presso un punto di raccolta per rifiuti elettronici contribuendo così alla salvaguardia dell'ambiente.

BATTERIE E PILE



Le batterie incluse nella confezione possono essere riutilizzate. Non gettare quindi le batterie nei normali rifiuti domestici, ma in contenitori appositi per la loro raccolta. Aiutate a mantenere pulito l'ambiente.

ENGLISH

DEUTSCH

FRANCAIS

ESPAÑOL

POLSKI

ITALIANO

Adam Hall GmbH, tutti i diritti riservati. I dati tecnici e le caratteristiche del prodotto possono essere soggetti a modifiche. È vietata la copia, la traduzione e qualsiasi altra riproduzione delle presenti istruzioni d'uso o di parte di esse senza previa autorizzazione.



NOTE:

ENGLISH

DEUTSCH

FRANCAIS

ESPAÑOL

POLSKI

ITALIANO



NOTE:

ENGLISH

DEUTSCH

FRANCAIS

ESPAÑOL

POLSKI

ITALIANO



ENGLISH

DEUTSCH

FRANCAIS

ESPAÑOL

POLSKI

ITALIANO



ENGLISH

DEUTSCH

FRANCAIS

ESPAÑOL

POLSKI

ITALIANO



WWW.CAMEOLIGHT.COM

Adam Hall GmbH | Daimlerstrasse 9 | 61267 Neu-Anspach | Germany
Tel. +49(0)6081/9419-0 | Fax +49(0)6081/9419-1000
web : www.adamhall.com | e-mail : mail@adamhall.com

