

**TS 9918
TS 9918-W**

- Remote control
- Controllo remoto





ENGLISH	
SAFETY PRECAUTIONS	4
DESCRIPTION	6
FRONT VIEW	6
SETTINGS, CONNECTION AND INSTALLATION	7
OPERATION	10
SPECIFICATIONS	13
ITALIANO	
AVVERTENZE PER LA SICUREZZA	14
DESCRIZIONE	16
VISTA FRONTALE	16
IMPOSTAZIONI, COLLEGAMENTO ED INSTALLAZIONE	17
FUNZIONAMENTO	20
DATI TECNICI	23

**IMPORTANT NOTES**

Before connecting and using this product, please read this instruction manual carefully and keep it on hand for future reference. The manual is to be considered an integral part of this product and must accompany it when it changes ownership as a reference for correct installation and use as well as for the safety precautions.

RCF S.p.A. will not assume any responsibility for the incorrect installation and / or use of this product.

WARNING: To prevent the risk of fire or electric shock, never expose this remote control to rain or humidity.

SAFETY PRECAUTIONS

1. All the precautions, in particular the safety ones, must be read with special attention, as they provide important information.
2. Make sure the audio system has been turned off before connecting TS 9918 remote controls.
3. Make sure all connections have been made correctly.
4. Make sure that no objects or liquids can get into this product, as this may cause a short circuit.
5. Never attempt to carry out any operations, modifications or repairs. Contact your authorized service centre or qualified personnel should any of the following occur:
 - **The remote control does not operate (or works in an anomalous way).**
 - **Objects or liquids have got into the remote control.**
 - **The remote control has been damaged (due to heavy impacts or fire).**
6. Should any part of the remote control emit any strange odour or smoke, remove it from the line after having immediately switched the system off.
7. Do not connect this product to any equipment or accessories not foreseen. Check the suitability of the support surface (wall, structure, etc., which the product is anchored to) and the components used for attachment that must guarantee the security of the system / installation over time, also considering, for example, the mechanical vibrations normally generated by loudspeakers.
8. **RCF S.p.A.** strongly recommends this product is only installed by professional qualified installers (or specialised firms), who can ensure a correct installation and certify it according to the regulations in force. The entire audio system must comply with the current standards and regulations

IMPORTANT NOTES

regarding electrical systems.

9. Hearing loss

Exposure to high sound levels can cause permanent hearing loss. The acoustic pressure level that leads to hearing loss is different from person to person and depends on the duration of exposure. To prevent potentially dangerous exposure to high levels of acoustic pressure, anyone who is exposed to these levels should use adequate protection devices. When a transducer capable of producing high sound levels is being used, it will be necessary to wear ear plugs or protective earphones.

10. To prevent inductive effects from causing hum, noise and a bad system working, the remote control cable should not be laid together with other electric cables (mains), loudspeaker lines, microphone or line level signal cables or be close to electro-magnetic fields.

11. Install this remote control selector far from any heat source.

12. Do not use solvents, alcohol, benzene or other volatile substances to clean its external parts. Use a dry cloth.

RCF S.P.A. WOULD LIKE TO THANK YOU FOR PURCHASING THIS PRODUCT, WHICH HAS BEEN DESIGNED TO GUARANTEE RELIABILITY AND HIGH PERFORMANCE.

DESCRIPTION



TS 9918 is a touch-sensitive remote control with a slim design and a glass surface, available both in black (TS 9918) and white (TS 9918-W), for wall mounting (it can fit several standard electrical boxes).

It can be used with: DXT 9000 system, AX 8042 automixer, ZX 8060.

The 8 lateral keys **T1-T8** and the volume control **VOL** at the centre can be configured through the PC software of the used system.

For instance, every **TS 9918** remote control could adjust the level of a single zone or an audio input, recall a preset, etc. .

It is possible to select among 3 different LED brightness modes (effective when remote controls are not in use) named **NIGHT, SAVING, DAYLIGHT**.

FRONT VIEW



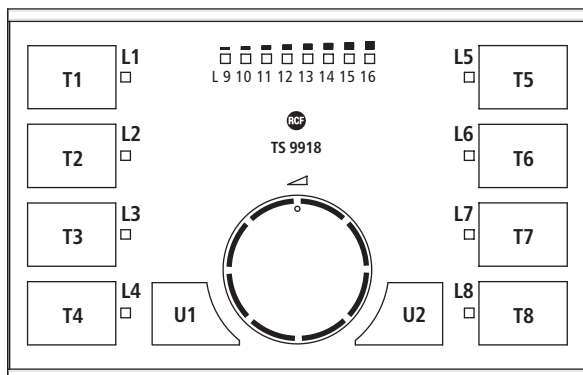
T1 - T8: software configurable keys.

L1 - L8: LEDs matched to T1 – T8 keys.

L9 - L16: LED bar indicating the volume level. The L9, L10 and L11 LEDs also indicate the selected brightness mode.

U1 and **U2:** service keys.

VOL: 'rotary control' to adjust a level.





TS 9918 remote control consists of 2 parts:

1. A frame to fit to several standard electrical boxes.
2. A frame with the printed circuit board and the touch-sensitive front panel.

Find both the **J1** connector and the six dip-switches on the printed circuit board (figure 1).

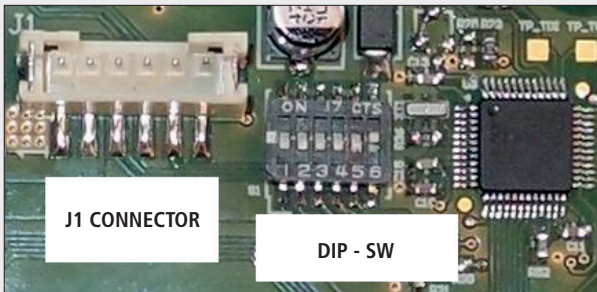


FIGURE 1

J1 CONNECTOR

PIN			WIRE COLOUR
1	GND	Ground	black
2	VCC	24 V dc input	red
3	RS 485A	RS 485A – serial port (half-duplex, 9600 baud)	green
4	RS 485B	RS 485B – serial port (half-duplex, 9600 baud)	yellow
5	LOCK	Link to ground (GND, pin 1) to enable the remote control	blue
6	TXD1	Not connected (for programming only)	white

DIP-SWITCHES

sw		
1	ID a	Digital address setting: 0 ÷ 7 (3 bits). Read the respective manual section.
2	ID b	
3	ID c	
4	USR	To be set to OFF (not used; for future functions)
5	BOOT 0	To be set to OFF (it is set to ON for programming only).
6	485 TERM	Line termination: to be set to ON only if the TS 9918 remote control is the last device of its line (otherwise, set it to OFF).

DIGITAL ADDRESS SETTING

Note: refer to the manual of the used system to know the maximum number of TS 9918 remote controls on the same line and which digital addresses are valid.

DIGITAL ADDRESS	ID c dip-switch (3)	ID b dip-switch (2)	ID a dip-switch (1)
0	off	off	off
1	off	off	ON
2	off	ON	off
3	off	ON	ON
4	ON	off	off
5	ON	off	ON
6	ON	ON	off
7	ON	ON	ON

LINE TERMINATION (RS 485)

Set the dip-switch no.6 to ON **only if the TS 9918 remote control is the last device of its line.**

CONNECTION

Before installing the TS 9918 remote control into the electrical box, connect the first 5 pins of the **J1** connector (on the printed circuit board) to the dedicated line of the used system:

ground (1), 24 V dc (2), RS 485A (3), RS 485B (4), LOCK (5) to ground.

INSTALLATION

After connecting the remote control, proceed with its installation (figures 2 and 3):

1. Fix the frame / adapter **B** to the electrical box **A** (through suitable screws).
2. Insert (pushing it until it clicks into) the frame with the printed circuit board and the front panel **C** to the frame / adapter **B**.

FIGURE 2

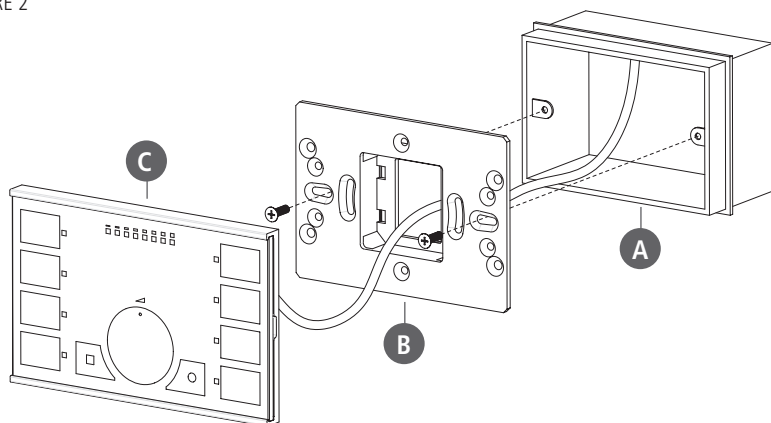


FIGURE 3

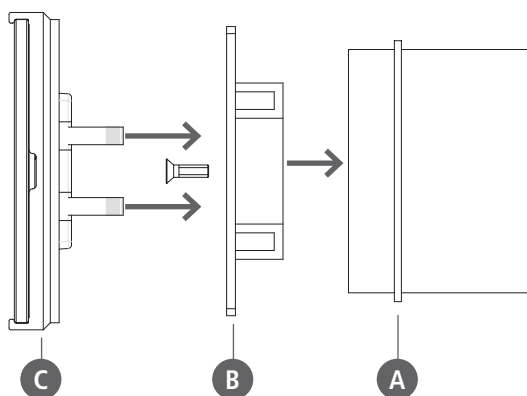
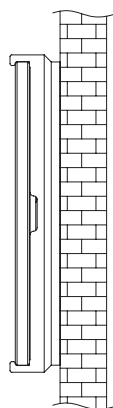


FIGURE 4



The figure 4 shows the section view of the TS 9918 remote control after its wall mounting.



If connected to the RCF AX 8042 automixer or ZX 8060, the TS 9918 remote control can operate in 3 different modes: **static**, **dynamic**, **combined** (both static and dynamic).

If connected to the DXT 9000 system, the remote control operates in the static mode only.

Refer to the used system manuals about all concerns the software configuration of TS 9918 remote controls.

STATIC mode possible functions:

1. Preset recall or other functions previously set in the software (e.g. 'MUTE INPUT 1').
2. Level adjustment of an audio input / output or a group.
3. Selection of LED brightness (when the keyboard is locked).
4. Keyboard lock.

DYNAMIC mode possible functions:

1. Level adjustment of either audio inputs (selected with T1-T4 keys) or audio outputs (T5-T8 keys) previously set in the software.
2. Combining audio inputs and outputs (matrix).
3. Selection of LED brightness (when the keyboard is locked).
4. Keyboard lock.

The **COMBINED** mode includes functions of both static and dynamic modes. In this case, the static mode is the normal operation for all users, the dynamic mode is restricted to professionals only.

STATIC MODE

PRESET RECALL OR OTHER FUNCTIONS

Touch briefly (less than a second) a T1-T8 key to turn on the assigned function (set in the software); the corresponding LED (L1-L8) lights up.

Each key can be assigned to any function (among all available).

Another brief touch of a previously activated key turns off its function (the corresponding LED is off).

LEVEL ADJUSTMENT

The **VOL** rotary control allows to adjust the level of an audio input / output or a group.

Input / output selections are software settings.

Every level adjustment is in real time, without confirmation requests.

The maximum excursion of the rotary control is 2 full turns.

The current level is indicated by the LED bar **L9-L16**.

Touch briefly the **U2** key to mute the audio input / output or the group that is affected by the VOL rotary control. When muted, the LED bar **L9-L16** is off.

To restore the audio input / output or the group to its previous level (the last setting before muting), touch briefly the **U2** key again.

DYNAMIC MODE

LEVEL ADJUSTMENT OF AN AUDIO INPUT / OUTPUT

When using the PC software, it is possible to assign 4 audio inputs to the **T1-T4** keys and 4 audio outputs to the **T5-T8** keys.

To adjust an input / output level by using the VOL control, touch briefly the assigned **T1-T8** key. The corresponding L1-L8 LED lights up and the current level is indicated by the LED bar **L9-L16**.

Every level adjustment is in real time, without confirmation requests.

The maximum excursion of the rotary control is 2 full turns.

Touch briefly another **T1-T8** key to adjust the level of another input / output.

Touch briefly the **U2** key to mute the audio input / output of the group that is affected by the VOL rotary control. When muted, the LED bar **L9-L16** is off.

To restore the audio input / output or the group to its previous level (the last setting before muting), touch briefly the **U2** key again.

MATRIX SETTINGS

Touch and hold (longer than a second) the **U2** key.

The **L1-L4** LEDs start flashing until the selection of an audio input through the touch of a T1-T4 key (the corresponding LED is now steady lit).

At this point, the **L5-L8** LEDs start flashing until the selection of an audio output through the touch of a **T5-T8** key.

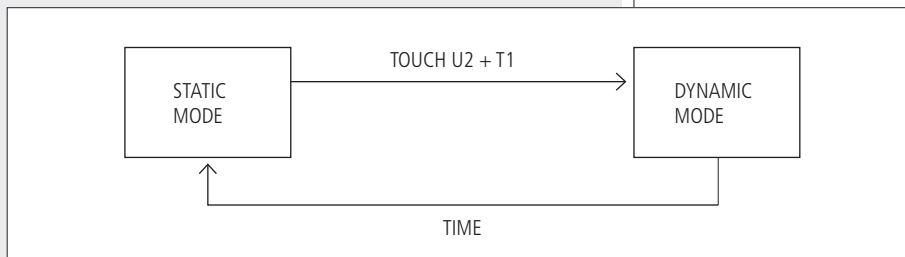
The corresponding **L5-L8** LED and the audio input one **L1-L4** are now steady lit for just 2 seconds, then both LED turn off.

To proceed with another assignment, repeat this procedure.

COMBINED MODE

The combined mode includes functions of both static and dynamic modes. The static mode is the normal operation for all users, the dynamic mode is restricted to professionals only.

To switch to the dynamic mode, it is necessary to touch and hold the U2 key, then (without releasing the **U2** key), touch the T1 key. All **L1-L8** LED will blink 3 times as confirmation.



The remote control automatically returns to the static mode after 5 ÷ 8 seconds from the last key touch.

As dynamic mode functions are exclusive of professionals, only these are aware of the keyboard mapping (inputs and outputs), that is not shown in the remote control front panel.

OTHER FUNCTIONS

KEYBOARD LOCK

The remote control keyboard gets locked:

- **Due to an user action, by touching and holding (longer than a second) the U1 key.**
- **Automatically after 20 seconds since the last key touch (at the end of 20 seconds, the L1-L8 LEDs will blink 3 times; blinking time: 1 second).**

If locked, the keyboard can be unlocked by touching and holding the U1 key again, confirmed by a buzz (of the internal buzzer) and a blink of all **L1-L8** LEDs.

LED BRIGHTNESS SETTING

When using a **TS 9918** remote control, all LEDs showing the current setting are always lit at their normal level.

Yet, it is possible to set the brightness mode that is applied only when the remote control is not used and its keyboard is locked.

This setting can be made only if the remote control keyboard is enabled. If locked, first it is necessary to unlock it (read the previous manual section 'KEYBOARD LOCK').

Touch briefly the U1 key to change sequentially (in a loop) the 3 available modes (the lit LED among **L9**, **L10** and **L11** indicates which is the current selection):

1. **DAYLIGHT** (the **L9** LED is lit): all LEDs showing the current setting are lit at their normal level.
2. **SAVING** (the **L10** LED is lit): all LEDs showing the current setting are lit at their minimum level.
3. **NIGHT** (the **L11** LED is lit): all LEDs are off.

SPECIFICATIONS



Width: 140 mm
 Height: 90 mm
 Depth: 27 mm
 (part protruding from the wall: 14 mm).

Net weight: 0.22 kg

Power supply: 24 V dc
 Current drain: 20 ÷ 40 mA

**IMPORTANTE**

Prima di collegare ed utilizzare questo prodotto, leggere attentamente le istruzioni contenute in questo manuale, il quale è da conservare per riferimenti futuri.

Il presente manuale costituisce parte integrante del prodotto e deve accompagnare quest'ultimo anche nei passaggi di proprietà, per permettere al nuovo proprietario di conoscere le modalità d'installazione e d'utilizzo e le avvertenze per la sicurezza.

L'installazione e l'utilizzo errati del prodotto esimono la RCF S.p.A. da ogni responsabilità.

ATTENZIONE: Per prevenire i rischi di fiamme o scosse elettriche, non esporre le parti che compongono il controllo remoto alla pioggia od all'umidità.

AVVERTENZE PER LA SICUREZZA

1. Tutte le avvertenze, in particolare quelle relative alla sicurezza, devono essere lette con particolare attenzione, in quanto contengono importanti informazioni.
2. Assicurarsi che il sistema sia spento prima di collegare il controllo remoto TS 9918.
3. Assicurarsi che tutte le connessioni siano corrette.
4. Impedire che oggetti o liquidi entrino nel prodotto, perché potrebbero causare un corto circuito.
5. Non eseguire sul prodotto interventi / modifiche / riparazioni. Contattare i centri di assistenza autorizzati o personale altamente qualificato quando:
 - **il controllo remoto non funziona (o funziona in modo anomalo);**
 - **oggetti o liquidi sono entrati nel controllo remoto;**
 - **il controllo remoto non è più integro (a causa di urti / incendio).**
6. Nel caso che dalle parti che compongono il controllo remoto provengano odori anomali o fumo, scollegarlo dopo aver immediatamente spento il sistema.
7. Non collegare al controllo remoto apparecchi ed accessori non previsti. Verificare l'idoneità del supporto (parete, struttura, ecc.) e dei componenti utilizzati per il fissaggio che devono garantire la sicurezza dell'impianto / installazione nel tempo, anche considerando, ad esempio, vibrazioni meccaniche normalmente generate da altoparlanti.

IMPORTANTE

8. La RCF S.p.A. raccomanda vivamente che l'installazione di questo prodotto sia eseguita solamente da installatori professionali qualificati (oppure da ditte specializzate) in grado di farla correttamente e certificarla in accordo con le normative vigenti. Tutto il sistema audio dovrà essere in conformità con le norme e le leggi vigenti in materia di impianti elettrici.

9. Perdita dell'udito

L'esposizione ad elevati livelli sonori può provocare la perdita permanente dell'udito. Il livello di pressione acustica pericolosa per l'udito varia sensibilmente da persona a persona e dipende dalla durata dell'esposizione. Per evitare un'esposizione potenzialmente pericolosa ad elevati livelli di pressione acustica, è necessario che chiunque sia sottoposto a tali livelli utilizzi delle adeguate protezioni; quando si fa funzionare un trasduttore in grado di produrre elevati livelli sonori è necessario indossare dei tappi per orecchie o delle cuffie protettive.

10. Per evitare che fenomeni induttivi diano luogo a ronzii, disturbi e compromettano il buon funzionamento dell'impianto, il cavo del controllo remoto non dovrebbe essere posto vicino a campi elettromagnetici e canalizzato insieme ai conduttori dell'energia elettrica, ai cavi microfonici, alle linee di segnale e quelle dei diffusori acustici che fanno capo ad amplificatori.

11. Collocare il controllo remoto lontano da fonti di calore.

12. Non usare solventi, alcool, benzina o altre sostanze volatili per la pulizia delle parti esterne; utilizzare un panno asciutto.

RCF S.P.A. VI RINGRAZIA PER L'ACQUISTO DI QUESTO PRODOTTO, REALIZZATO IN MODO DA GARANTIRNE L'AFFIDABILITÀ E PRESTAZIONI ELEVATE.

DESCRIZIONE



TS 9918 è un controllo remoto con design elegante e tastiera sensibile al tocco, disponibile sia in nero (TS 9918) sia in bianco (TS 9918-W), sottile e con superficie di vetro, installabile a parete (compatibile con la maggior parte delle scatole elettriche standard) e collegabile al sistema DXT 9000, all'automixer AX 8042 ed allo ZX 8060.

Gli 8 tasti laterali **T1-T8** ed il controllo di volume **VOL** circolare al centro sono configurabili tramite il software (per PC) del sistema utilizzato.

Un controllo remoto TS 9918 può essere usato, ad esempio, per controllare localmente il volume di una determinata zona, per controllare il livello di un ingresso audio, per richiamare una configurazione preimpostata ("preset"), ecc. .

È prevista la scelta tra 3 differenti modi di luminosità dei LED per quando un controllo remoto non è in uso (e la sua tastiera è bloccata) definiti **NOTTE, ATTENUATO, GIORNO**.

VISTA FRONTALE



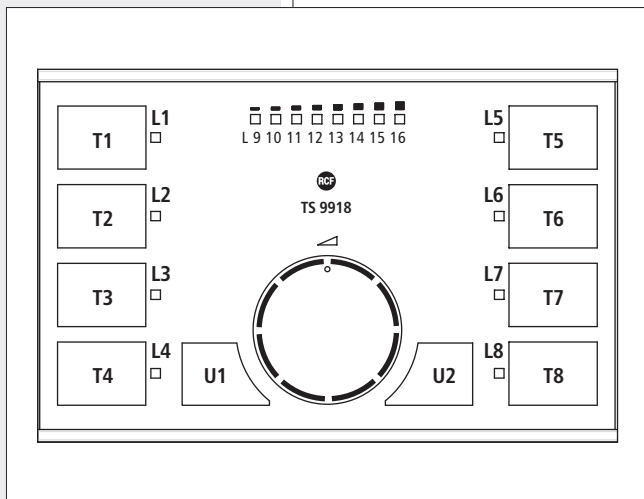
T1 - T8: tasti configurabili via software.

L1 - L8: LED associati ai tasti T1 - T8.

L9 - L16: barra LED indicante il livello del volume; i LED L9, L10 ed L11 sono anche usati per indicare i modi di luminosità.

U1 e U2: tasti di servizio (non configurabili)

VOL: controllo circolare per la regolazione di un livello.





Un controllo remoto TS 9918 si compone di 2 parti:

1. un telaio per l'adattamento alla maggior parte delle scatole elettriche standard;
2. un telaio con il circuito stampato ed il pannello frontale sensibile al tocco.

Individuare sul circuito stampato il connettore **J1** ed i sei microinterruttori **DIP-SWITCH** (figura 1).

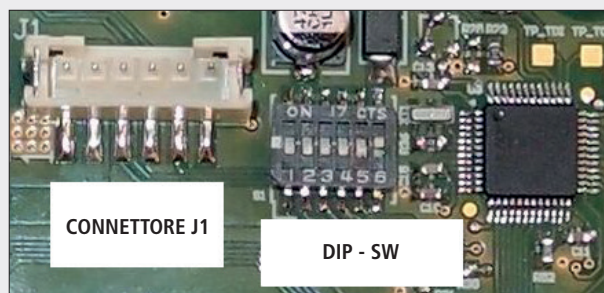


FIGURA 1

CONNETTORE J1

PIN			COLORE CONDUTTORE
1	GND	Contatto di massa	nero
2	VCC	Ingresso alimentazione 24 V c.c.	rosso
3	RS 485A	Porta seriale RS 485A (half-duplex, 9600 baud)	verde
4	RS 485B	Porta seriale RS 485B (half-duplex, 9600 baud)	giallo
5	LOCK	Collegare a massa (GND, pin 1) per abilitare il controllo remoto	blu
6	TXD1	Non collegare (da usarsi solo per la programmazione)	bianco

DIP-SWITCH

sw		
1	ID a	Impostazione dell'indirizzo digitale (0 ÷ 7) tramite 3 bit. Vedere la rispettiva sezione del manuale.
2	ID b	
3	ID c	
4	USR	Da mantenere su OFF (non utilizzato; per impieghi futuri)
5	BOOT 0	Da mantenere su OFF (si imposta su ON solo per la ri-programmazione).
6	485 TERM	Terminazione della linea: da impostare su ON solo se il controllo remoto TS 9918 è l'ultimo dispositivo della linea, altrimenti lasciarlo su OFF.

IMPOSTAZIONE DELL'INDIRIZZO DIGITALE

Nota: riferirsi al manuale del sistema utilizzato per conoscere il numero massimo di controlli remoti TS 9918 utilizzabili sulla stessa linea e quali sono gli indirizzi digitali validi.

Indirizzo digitale	Dip-switch ID c (3)	Dip-switch ID b (2)	Dip-switch ID a (1)
0	off	off	off
1	off	off	ON
2	off	ON	off
3	off	ON	ON
4	ON	off	off
5	ON	off	ON
6	ON	ON	off
7	ON	ON	ON

TERMINAZIONE DELLA LINEA (RS 485)

Impostare il dip-switch nr. 6 su ON su un controllo remoto TS 9918 (solo) **se questo è l'ultimo dispositivo della linea.**

COLLEGAMENTO

Prima di procedere con l'installazione del controllo remoto TS 9918 nella scatola elettrica, collegare i primi 5 contatti del connettore J1 (del circuito stampato) alla linea dedicata del sistema in uso: massa (1), alimentazione 24 V c.c. (2), RS 485A (3), RS 485B (4), LOCK (5) a massa

INSTALLAZIONE

Dopo aver effettuato il collegamento, si procede con l'installazione (figure 2 e 3):

1. fissare il telaio per l'adattamento **B** alla scatola elettrica **A** (tramite viti adatte);
2. inserire (spingendolo fino ad incastrarlo) il telaio con il circuito stampato ed il pannello frontale **C** al quello per l'adattamento **B**.

FIGURA 2

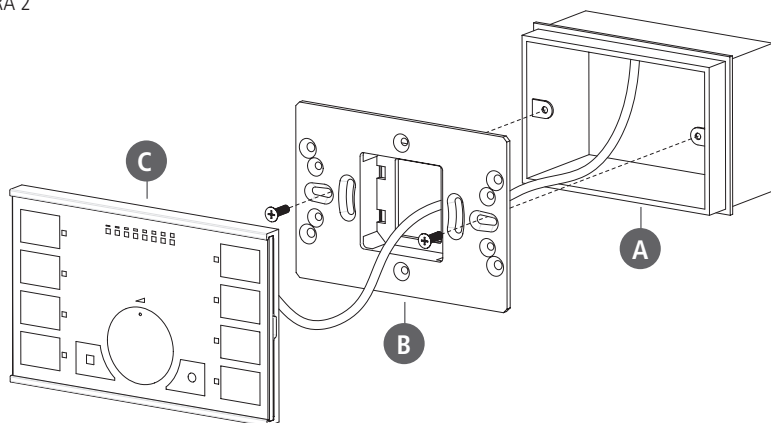


FIGURA 3

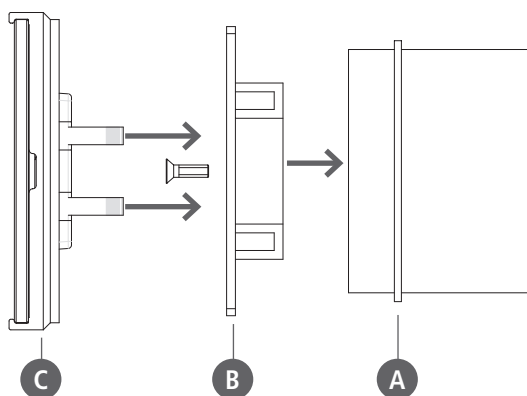
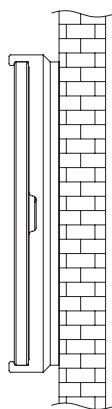


FIGURA 4



La figura 4 mostra la sezione del controllo remoto TS 9918 dopo l'installazione a parete.



Se collegato all'automixer AX 8042 od allo ZX 8060, il controllo remoto TS 9918 ha 3 possibili modalità di funzionamento: statica, dinamica o combinata (statica e dinamica).

Se collegato al sistema DXT 9000, il controllo remoto funziona nella sola modalità statica.

Riferirsi ai manuali dei sistemi per quanto riguarda la configurazione via software dei controlli remoti TS 9918.

Nella modalità **STATICA** sono possibili le seguenti funzioni:

1. attivazione di configurazioni ("preset") o altre funzioni precedentemente impostate tramite il software di configurazione (esempio "MUTE INPUT 1");
2. regolazione del volume di un ingresso o di un'uscita o di un gruppo;
3. regolazione della luminosità dei LED quando la tastiera è bloccata;
4. blocco della tastiera.

Nella modalità **DINAMICA** sono possibili le seguenti funzioni:

1. regolazione del volume degli ingressi audio (tramite i tasti T1-T4) e delle uscite audio (tramite i tasti T5-T8) precedentemente impostati tramite il software di configurazione;
2. associazione tra ingressi ed uscite audio (funzione di matrice);
3. regolazione della luminosità dei LED quando la tastiera è bloccata;
4. blocco della tastiera.

Nella modalità **COMBINATA**, sono disponibili le funzioni di entrambe le modalità statica e dinamica. In questo caso, la modalità statica è il funzionamento normale rivolto agli utilizzatori finali, mentre quella dinamica è riservata agli addetti ai lavori.

MODALITÀ STATICA

ATTIVAZIONE DI CONFIGURAZIONI ("PRESET") OD ALTRE FUNZIONI

Il comando si ottiene con il tocco breve (meno di un secondo) di uno dei tasti **T1-T8**: si provoca l'attivazione della funzione ad esso associata attraverso il software di configurazione; il LED corrispondente (**L1-L8**) si accende.

Ad ogni tasto si può assegnare qualunque funzione tra quelle disponibili.

Un nuovo tocco breve di un tasto attivato ne disattiva la funzione (il LED corrispondente si spegne).

REGOLAZIONE DEL VOLUME

Il controllo VOL permette la regolazione del livello di un ingresso o un'uscita audio od un gruppo; l'impostazione degli ingressi / uscite si effettua attraverso il software di configurazione.

Ogni regolazione di un livello avviene in tempo reale (applicata immediatamente), senza bisogno di conferme da parte dell'utente. La massima escursione del controllo rotante è 2 giri completi.

Il livello è visualizzato tramite la barra LED **L9-L16**.

Un tocco breve del tasto **U2** esegue la disattivazione (funzione MUTE) dell'ingresso audio o dell'uscita o del gruppo, il cui livello è regolabile tramite il controllo VOL.

Durante la funzione MUTE, la barra LED **L9-L16** è spenta; per ripristinare l'ingresso / l'uscita / il gruppo al livello precedentemente impostato (prima della sua disattivazione), toccare ancora brevemente il tasto **U2**.

MODALITÀ DINAMICA

REGOLAZIONE DEL VOLUME DI UN INGRESSO OD UN'USCITA AUDIO

Tramite il software di configurazione, si possono abbinare 4 ingressi audio ai tasti **T1-T4** e 4 uscite audio ai tasti **T5-T8**.

Per regolare il volume di un ingresso / uscita tramite il controllo VOL, toccare brevemente il tasto **T1-T8** abbinato: il LED corrispondente **L1-L8** si accende ed il livello corrente è visualizzato tramite la barra LED **L9-L16**.

Ogni regolazione di un livello avviene in tempo reale (applicata immediatamente), senza bisogno di conferme da parte dell'utente. La massima escursione del controllo VOL è 2 giri completi.

Per passare alla regolazione del livello di un altro ingresso / un'altra uscita, occorre prima toccare il tasto **T1-T8** corrispondente.

Un tocco breve del tasto **U2** esegue la disattivazione (funzione MUTE) dell'ingresso audio o dell'uscita o del gruppo, il cui livello è regolabile tramite il controllo VOL.

Durante la funzione MUTE, la barra LED **L9-L16** è spenta; per ripristinare l'ingresso / l'uscita / il gruppo al livello precedentemente impostato (prima della sua disattivazione), toccare ancora brevemente il tasto **U2**.

IMPOSTAZIONE DELLA MATRICE

Si accede a questa funzione tramite un tocco mantenuto (con tempo superiore ad un secondo) del tasto **U2**.

Successivamente, i LED **L1-L4** lampeggiano fino al tocco di uno dei tasti **T1-T4**, che determina la selezione dell'ingresso audio (il LED corrispondente rimane acceso).

A questo punto, i LED **L5-L8** lampeggiano fino al tocco di uno dei tasti **T5-T8**, che determina la selezione dell'uscita audio da abbinare all'ingresso precedentemente selezionato.

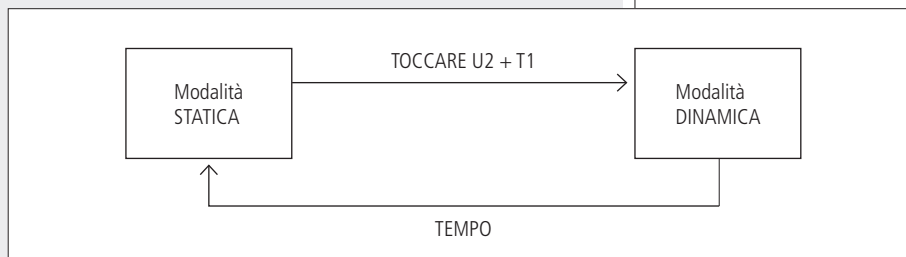
Il LED **L5-L8** corrispondente all'uscita rimane acceso, insieme a quello **L1-L4** dell'ingresso abbinato per 2 secondi, dopodiché si spengono entrambi.

Per procedere con una nuova assegnazione, ripete la sequenza.

MODALITÀ COMBINATA

Nella modalità **COMBINATA**, sono disponibili le funzioni di entrambe le modalità statica e dinamica. In questo caso, la modalità statica è prioritaria e rivolta a tutti gli utenti, mentre quella dinamica è riservata agli addetti ai lavori (e quindi deve essere resa invisibile agli utilizzatori).

Per attivare la modalità dinamica è dunque necessario **toccare e tenere appoggiato il dito sul tasto U2, poi** (senza rilasciare il tasto U2) **toccare il tasto T1**; i led **L1-L8** lampeggiano 3 volte come conferma dell'attivazione.



Se non si tocca alcun tasto entro un certo tempo (compreso tra 5 ÷ 8 secondi), il controllo remoto ritorna automaticamente nella modalità statica.

Dato che le funzioni della modalità dinamica sono esclusive degli addetti ai lavori, solo questi sono a conoscenza della mappatura tra tasti (ingressi ed uscite), che non è mostrata sul pannello frontale del controllo remoto.

ALTRE FUNZIONI

BLOCCO DELLA TASTIERA

Il blocco della tastiera si attiva:

- **su azione dell'utente, con un tocco mantenuto (con un tempo superiore ad un secondo) del tasto U1;**
- **automaticamente dopo 20 secondi dall'ultimo tocco di un tasto (allo scadere dei 20 secondi, i LED L1-L8 lampeggiano 3 volte con tempo di lampeggio di 1 secondo).**

Se bloccata, la tastiera può essere riattivata con un nuovo tocco mantenuto del tasto U1.

Un segnale sonoro (tramite buzzer) ed un lampeggio dei LED L1-L8 confermano la riattivazione della tastiera.

IMPOSTAZIONE DELLA LUMINOSITÀ DEI LED

Durante l'utilizzo del controllo remoto TS 9918, i LED rappresentativi della configurazione sono accesi normalmente, tuttavia è possibile impostare una riduzione della loro luminosità che **si applica solo quando il controllo remoto non è in uso e la sua tastiera è bloccata.**

Questa impostazione può essere effettuata solo se la tastiera è attiva; se bloccata, occorre prima effettuarne la riattivazione (vedere la descrizione precedente "BLOCCO DELLA TASTIERA").

Toccando brevemente il tasto U1, si scorrono sequenzialmente in modo ciclico i 3 modi disponibili (il LED acceso, tra L9, L10, L11, indica qual è attualmente quello selezionato):

1. **GIORNO** (LED **L9** acceso): i LED rappresentativi della configurazione sono sempre accesi normalmente;
2. **ATTENUATO** (LED **L10** acceso): i LED rappresentativi della configurazione sono accesi al livello minimo;
3. **NOTTE** (LED **L11** acceso): tutti i LED sono spenti.

DATI TECNICI



Larghezza: 140 mm
 Altezza: 90 mm
 Profondità: 27 mm
 (parte sporgente dal muro: 14 mm).

Peso netto: 0,22 kg

Alimentazione: 24 V c.c.
 Assorbimento di corrente: 20 ÷ 40 mA



Except possible errors and omissions.
RCF S.p.A. reserves the right to make modifications without prior notice.

Salvo eventuali errori ed omissioni.
RCF S.p.A. si riserva il diritto di apportare modifiche senza preavviso.

HEADQUARTERS:

RCF S.p.A. Italy
tel. +39 0522 274 411
e-mail: info@rcf.it

RCF UK
tel. 0844 745 1234
Int. +44 870 626 3142
e-mail: info@rcfaudio.co.uk

RCF France
tel. +33 1 49 01 02 31
e-mail: france@rcf.it

RCF Germany
tel. +49 2203 925370
e-mail: germany@rcf.it

RCF Spain
tel. +34 91 817 42 66
e-mail: info@rcfaudio.es

RCF Belgium
tel. +32 (0) 3 - 3268104
e-mail: belgium@rcf.it

RCF USA Inc.
tel. +1 (603) 926-4604
e-mail: info@rcf-usa.com

www.rcfaudio.com